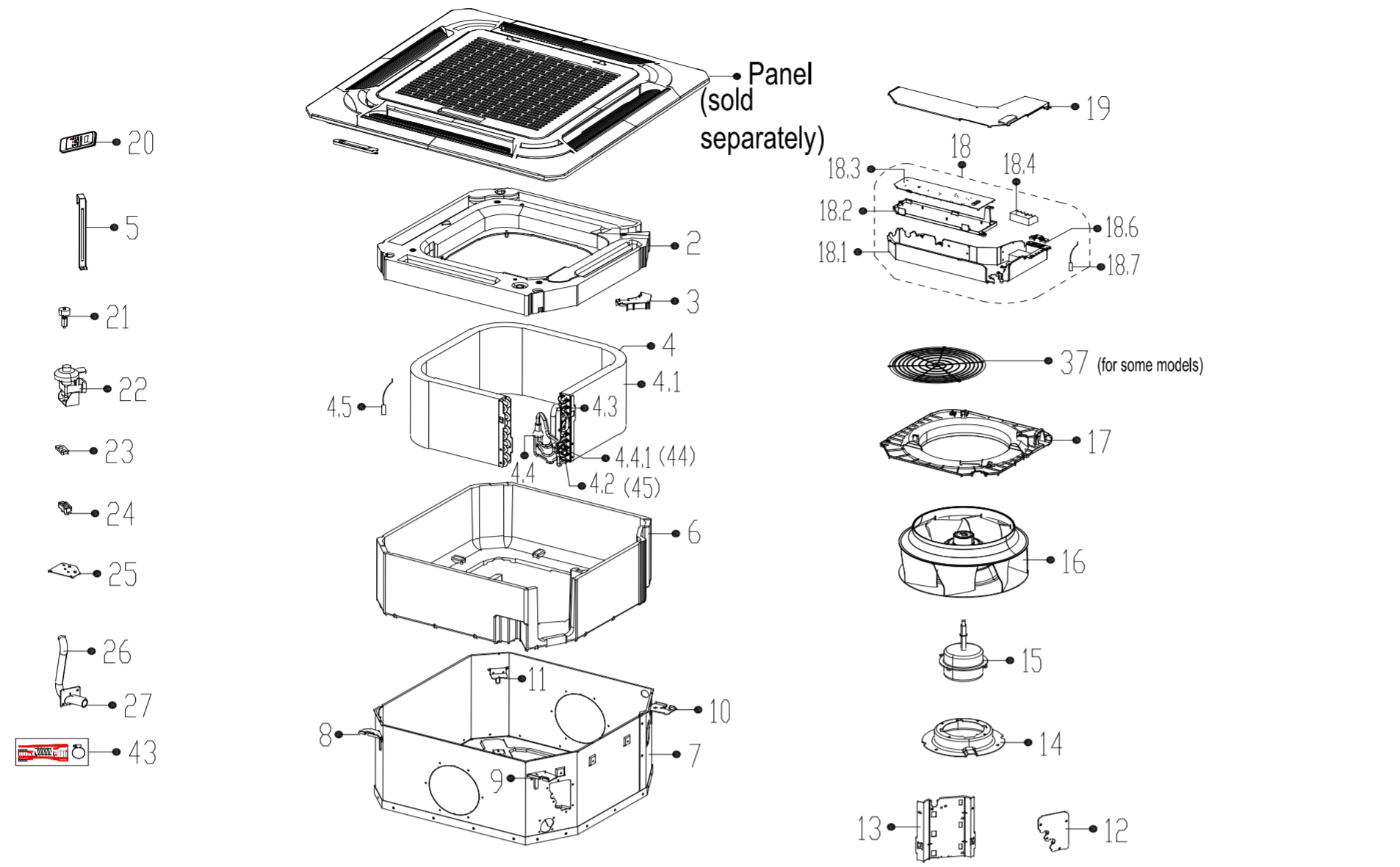


Exploded View

PIACW1280790A

208-230V~ 60Hz 1Phase

Export Time:



No.	Part Name	Quantity	BOM Code	Remark1	Remark2
2	Water collector assembly	1.0	12822500000017		
3	wiring box	1.0	12122500000022		
4	evaporator assembly	1.0	15822500001723		
4.1	evaporator	1.0	15822500001602		
4.3	evaporator outlet pipe subasse	1.0	15122500000226		
4.4	inlet pipe assembly	1.0	15122500002900		
4.5	Pipe temperature sensor subass	1.0	11201007002320	CGQ-WD/GW4100-L560	
5	evaporator hang board	1.0	12222500000093		
6	Base foam for Chassis assembly	1.0	12822500000005		
7	Chassis assembly	1.0	12222500000224		
8	Hook	1.0	12222500000191		
9	Hook	1.0	12222500000192		
10	Hook	1.0	12222500000190		
11	Hook	1.0	12222500000193		
12	Pipe fixing board assembly	1.0	12122500000330		
13	evaporator fixing board	1.0	12222500000197		
14	the bracket for install fan mo	1.0	12222500002672		
15	Asynchronous motor	1.0	11002015000069	ZKFP-46-8-1	
16	Centrifugal fan	1.0	12100103000089	LX-322*147.5*12-7N	
17	Ventilation ring	1.0	12122500000425		
18	Structural components of indoo	1.0	17222500A02200		
18.1	Cover of electronic control bo	1.0	12222500000165		
18.2	Insulation plate	1.0	12122500000029		
18.3	Indoor main control board suba	1.0	17122500A01733	CAUS1-KFR35Q/BP3N1	
18.4	Terminal block	1.0	17400401000075	JXZ-PT5H-A	
18.6	wiring clamp	1.0	12200202000004		
18.7	Ambient temperature sensor sub	1.0	11201007000283		
19	Cover of electronic control bo	1.0	12222500000209		
20	Remote controller	1.0	17317000008138	RG51B(1)/EU1	
21	Water level switch	1.0	17400511000015		
22	Water pump	1.0	11001010000063		
23	Drain pump rubber washer	1.0	12622500000005		
24	Drain pump rubber washer II	1.0	12622500000003		
25	Drain pump mounting plate	1.0	12222500000352		
26	Drain pipe	1.0	12622500000012		
27	Drain connecting pipe	1.0	12100510000019		
37	Fan guard net	1.0	12122500000604		
43	Accessory kit	1.0	12011600A00310		Drain hose
44	Copper nut	1.0	15500406000016	TLM-A01	A01=6.35mm(1/4in); B02=9.52mm(3/8in); C03=12.7mm(1/2in); D04=15.9mm(5/8in); E05=19mm(3/4in); F07=22mm(7/8in);
45	Copper nut	1.0	15500406000012	TLM-C03	A01=6.35mm(1/4in); B02=9.52mm(3/8in); C03=12.7mm(1/2in); D04=15.9mm(5/8in); E05=19mm(3/4in); F07=22mm(7/8in);