

Model/Modelo:

PRF65DX/PRF90DX/PRF125DX/ PRF155DX

PRF657DX/PRF907DX/PRF1257DX /PRF1557DX

**PREMIUM  
LEVELLA®**

**SINGLE DOOR MERCHANDISER**

**REFRIGERATOR**

**VITRINA REFRIGERADOR**

**COMERCIAL DE UNA PUERTA**

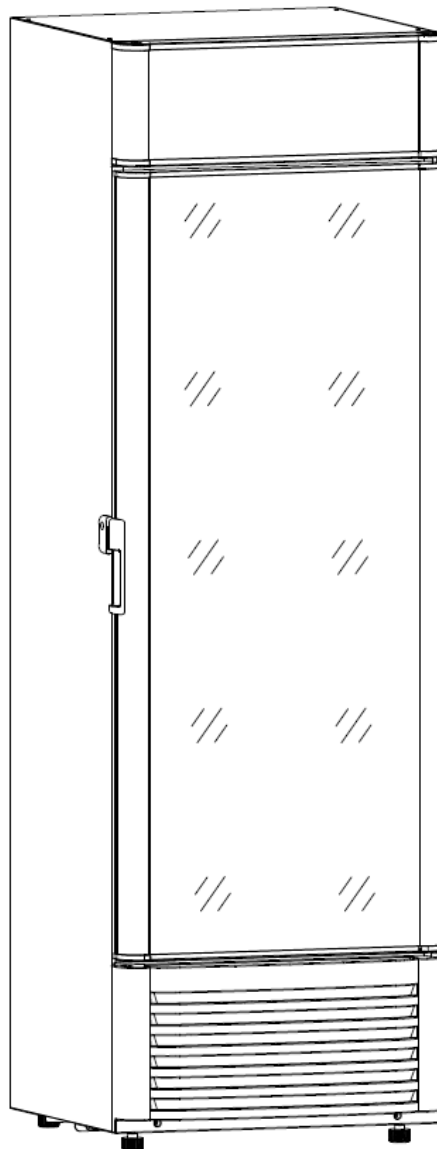


Table of Contents

I、 Important safety instructions ..... 3

II、 Transportation and Placement ..... 5

III、 Product Features ..... 6

IV、 Operation of the Temperature control knob..... 7

V、 Electrical Connection ..... 8

VI、 Caution for Safety..... 8

VII、 Caution for Using..... 9

VIII、 Cleaning of the unit ..... 9

IX、 Ordinary Trouble and Remedies: ..... 9

**Dear Customer :**

Dear users (customer), this manual contains the product's basic knowledge, use instruction, fault diagnosis and basic trouble shooting methods. In order to better understand and use this product, please take good care of this manual and read it carefully.

**I 、 Important safety instructions**

1. The range of operating voltage: 97V~130V. In order to avoid damaging the electrical performance of the compressor, please equip with a voltage stabilizer appliance of power not less than 500W, to protect the cooler when the voltage is lower than 97V or higher than 130V.
2. Individual single-phase socket must be used. It should be reliably connected to a grounding wire. Caution: The grounding wire is not allowed to connect to a water pipe or a gas pipe.
3. Strong base, strong acid, organic solvent and corrosive goods or those are easy to pollute to food are prohibited storing in the cooler; otherwise, it can cause corrosiveness or accident.
4. Don't raise the cooler or the shell of the electric parts, or it will cause the decline in insulation and cause corrosion.
5. When the cooler will be not be used for a long time, disconnect the power and clean it. Please examine the circuit whether it is ok before reuse.
6. If the supply cord is damaged, it must be replaced by a special cord or assembly available from the manufacturer or its service agent.
7. The appliance shall be disconnected from its power source during cleaning or maintenance and when replacing parts.
8. The A-weighted emission sound pressure level is below 70Db(A).
9. Do not store explosive substances such as aerosol cans with a flammable propellant inside the appliance.
10. Flammable blowing gas of the cooler should be handled according to local regulations. Before you scrap the appliance, please take off the doors to prevent children trapped.

** Caution:**

1. Risk of fire / flammable materials, taking care to avoid causing a fire by igniting flammable material.
2. Keep clear of obstruction all ventilation openings in the appliance enclosure or in the structure for building-in.
3. Do not use mechanical devices or other means to accelerate the defrosting process, other than those recommended by the manufacturer.
4. Do not damage the refrigerant circuit.
5. Do not use electrical appliances inside the food storage compartments of the appliance, unless they are of the type recommended by the manufacturer.
6. The ambient temperature and humidity conditions of the cooler climate class following the tab below:

Test room climate class	Dry bulb temperature (°C)	Relative Humidity (%)	Dew point (°C)	Water vapor mass in dry air (g/kg)
0	20	50	9.3	7.3
1	16	80	12.6	9.1
8	23.9	55	14.3	10.2
2	22	65	15.2	10.8
3	25	60	16.7	12.0
4	30	55	20.0	14.8
6	27	75	21.1	15.8
5	40	40	23.9	18.8
7	35	75	30.0	27.3

NOTE: the water vapor mass in dry air is one of the main points influencing the performance and the energy consumption of the coolers. Therefore, the order of the climate class in the table is based on the water vapor mass column.

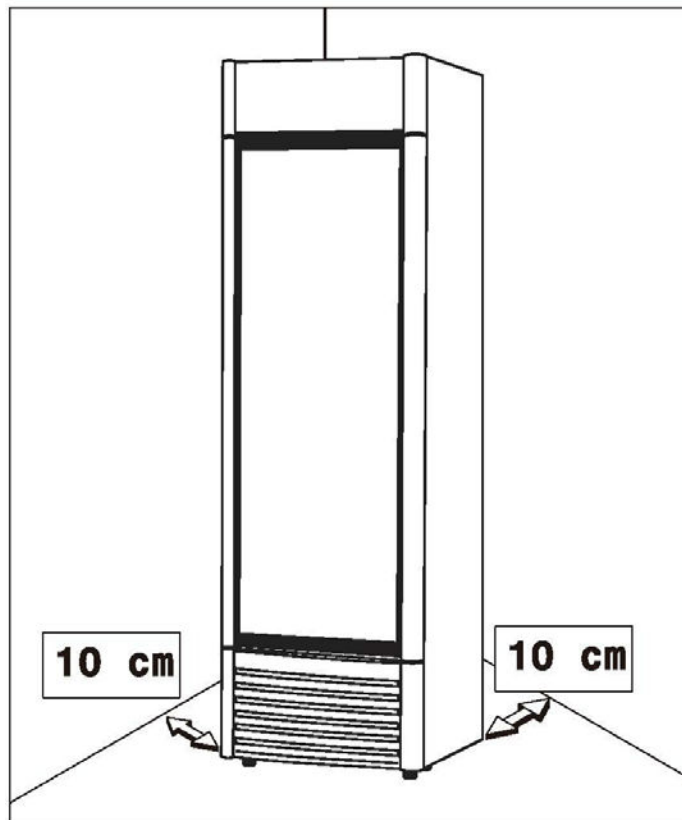


Warning: Risk of fire / flammable materials

## II、 Transportation and Placement

### Transportation :

1. Take out packing and clean all the cabinet using warm water together with 5% of neutral soap then dry it with a soft-cloth; for the glass parts only use specific products, avoiding the use of water which can leave on the glass limestone residues.
2. Keep a distance from the wall of 10 cm at least. Please level the unit by settling the adjustable feet.
3. Cabinet must be installed on a perfectly even surface, far away from any heat source included sun ray.
4. Do not install the unit in open places and do not expose it to rain.



Note : schematic diagram for demand size of product space

### Choosing the installation location :

The unit is for indoor application only.

Due to the fact that the unit has a glass door, its performance is highly influenced by environmental conditions. To minimize the environmental effects on the unit's performance, the following are recommended:

- The unit is not to be placed near any kind of heat source
- The unit is not to be placed near or inside air streams produced by ventilation fans, open doors and/ or windows
- The unit is not to be situated under a roof-mounted ventilation system.
- The unit should have sufficient space to 'breathe' (always use the rear space to ensure minimum clearance).
- The unit should not be placed under direct sunlight.

- Keep all ventilation openings in the appliance enclosure or in the structure clear of obstruction.
- In order to reduce fire hazard, the installation of this appliance must be carried out only by a suitably qualified person.

### **Levelling the unit :**

Place the unit at the chosen location. Using a spirit level, check whether the unit is levelled in both directions.

The spirit level can be placed on one of the shelves.

It is essential that the unit is levelled during operation so as to avoid possible ice formation on the evaporator's fins due to insufficient drainage of the condensates.

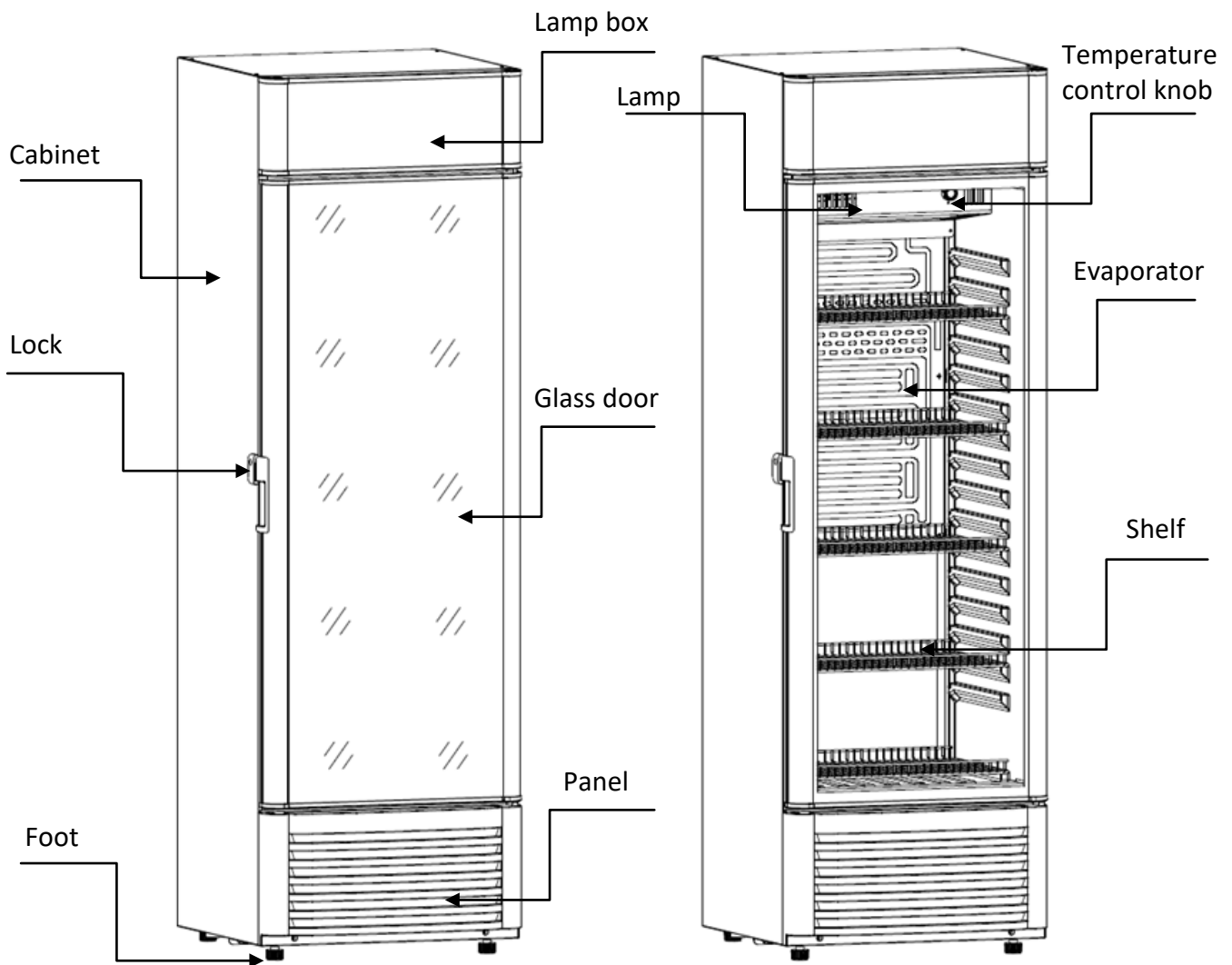
Tilt unit by 2° angle for easy closing of door and drain.

- Do not insert cream or spray bottles inside the cooler.
- Do not store explosive substances such as aerosol cans with flammable propellant in the cooler.

### **III、 Product Features**

1. It uses quality, effective and hermetic compressor with broad range of starting voltage, suitable ambient temperature: not higher than 40°C, reasonable matching of the cooler system guarantees its powerful refrigerating ability and energy saving.
2. Goods stored can be displayed clearly through the door made of luxurious hollow glass.
3. The thermal insulation layer of the cooler made from hard polyurethane foamed plastics makes it be light and good ability to keep the contents cold.

Details of Product

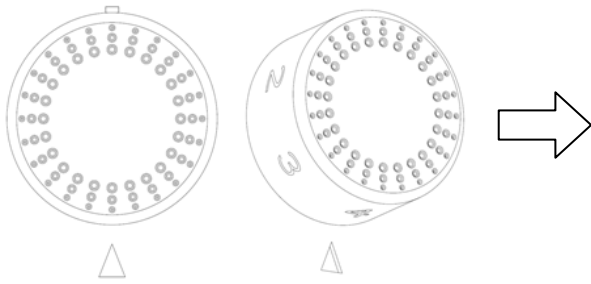


Note: Due to technological innovation, the descriptions of the product in this manual may not be completely consistent with your upright showcase. Details are in accordance with the material item.  
Production Dimension:

Model	PRF65DX PRF657DX	PRF90DX PRF907DX	PRF125DX PRF1257DX	PRF155DX PRF1557DX
Dimension(W×D×H/mm)	575×540×1645	575×610×1710	615×610×1990	655×705×1990
Net Capacity(L)	189	239	339	439
Temperature(°C)	0~10	0~10	0~10	0~10
Control System	Mechanical	Mechanical	Mechanical	Mechanical
Lock & Light	Yes	Yes	Yes	Yes
Refrigerant	R600a	R290	R290	R290
Climate Type	3,4,5	3,4,5	3,4,5	3,4,5

IV、 Operation of the Temperature control knob

1. The temperature inside the cabinet can be controlled with the temperature control knob.
2. The knob should be kept upright normally to adjust the temperature.

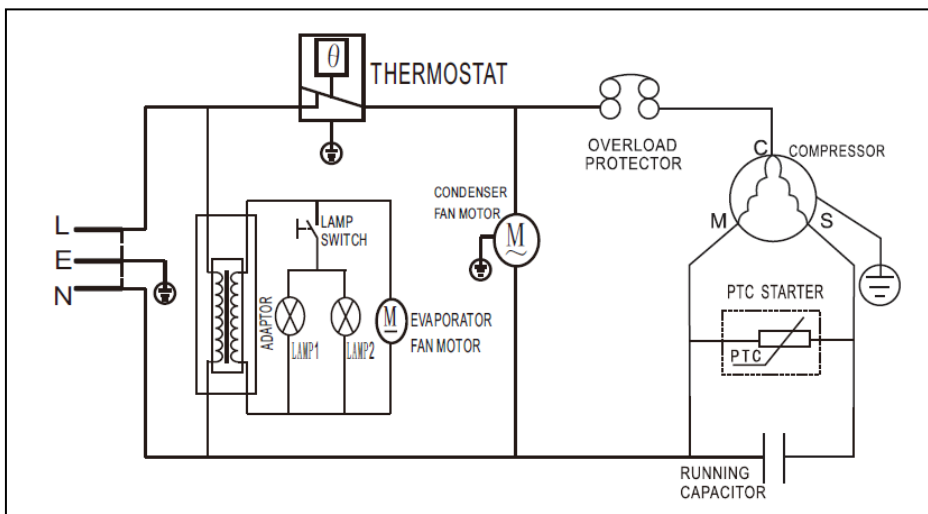


COLD ↑ ↓ COLDEST	0	Product will cease to work
	1	When the user does not need a colder temperature
	2	
	3	
	4	When in normal use
	5	When the user needs a colder temperature
	6	When the user needs a coldest temperature

Note: The cooler should not work more than 24 hours in coldest function 6, please turn the knob back to 4 in time.

## V、 Electrical Connection

### Electronic diagram



### ⚡WARNING⚡

1. Do not, under any circumstances, cut or remove the third ground prong from the power cord supplied.

This appliance is not designed to be used with an inverter.

The cord should be secured behind the appliance and not left exposed or dangling to prevent accidental injury.

2. Never unplug the cooler by pulling the power cord. Always grip the plug firmly and pull straight out from the receptacle.

3. Do not use an extension cord with this appliance. If the power cord is too short, have a qualified electrician or service technician install an outlet near the appliance. Use of an extension cord can negatively affect the performance of the unit.

4. Improper use of the grounded plug can result in the risk of electrical shock. If the power cord is damaged, have it replaced by an authorized service center.

## VI、 Caution for Safety

- **Warning!** Do not damage the cooling fluid circuit
- **Warning!** Do not damage walls of the machine: the cooling fluid circuit may damage
- **Warning!** Do not use electrical appliances inside the food storage compartments of the appliance, unless they are of the type recommended by the manufacturer.
- **Warning!** The equipment must not be used by persons (including children) whose physical, sensorial, or mental capacities are reduced, or who lack of experience and know-how, unless



they have been provide, by means of a person responsible for their safety, with suitable monitoring or instructions about the use of the equipment. Children must be monitored to ensure they do not play with the equipment.

## **VII、 Caution for Using**

1. Unpack all packages before using the cooler. Don't slant it over more than 60°, while moving it.
2. When initial operation, the cooler should run empty about two hours before storing food in it.
3. The thermostat could adjust the temperature inside the cooler. When you turn the knob in clockwise, the bigger the figure, the lower the temperature. Generally, the position of '3-4' is suitable. '6' position will be operating continually.
4. To save energy, the door should not be frequently opened or left open for a long time.
5. The surface and the inside of the cooler should be dry and clean. Long term moisture will cause the cooler rust slowly. (There will be some stains on the surface.)
6. Periodical cleaning is suggested for your reference. Generally, 30-45 days once is the best. When cleaning, it is best to wipe the inside and the surface of the cooler with a soft cloth with neutral soap or detergent.

Caution: To ensure safety, the power plug must be pulled out before cleaning.

## **VIII、 Cleaning of the unit**

For cleaning the unit's internal plastic parts, use a light solution of soap and water. Do not apply hard chemical detergents on the plastics as they may lose their brightness or even get deformed.

The same applies to the external metallic surfaces. The use of hard chemicals could harm the painting of the metallic surfaces, thus affecting the sanitary protection of the unit.

## **IX、 Ordinary Trouble and Remedies:**

Please refer to the below trouble shooting lists to overcome any minor problems that occur during operations.

Trouble	Reason		Check	Solution	Remark	
Lamp not lighting	No voltage	Fuse breaking off	Check fuse	Change fuse	Ask professional to maintain.	
		Poor connection between the plug and socket	The connection lease or not	Repair or change socket		
	Have voltage	lamp has poor contact or worn down	Check the circuit and lamp	Tighten the connection or change a new lamp	Ask professional to maintain.	
		Lamp switch has poor contact	Check the switch	Tighten the connection or change a new switch		
Condenser fan Not running	Compressor works orderly	Condenser fan broken down	Remove condenser fan	Change condenser fan		Ask professional to maintain.
	Compressor does not work	Thermostat is not set to the work position	Check the position of the thermostat knob	Revolve the thermostat knob to the operating position		
		Thermostat terminal is not connected properly	Check the thermostat terminal	Reconnect the terminal	Ask professional to maintain.	
		The thermostat is worn down.	Check the thermostat	Change the thermostat		
Continuous operating	Temperature is too high inside of the cabinet	Open the door too frequently	/	Open the door as little as possible	Ask professional to maintain.	
		Too much storage	The circulation of cooling air has been affected	Take out part of the storage		
		Leakage of refrigerant.	/	Repair at a qualified service center		
	Temperature is too low inside the cabinet.	Thermostat does not work properly	Check the thermostat	Change the thermostat	Ask professional to maintain.	
Noise	Cooler isn't placed levelly		Check if the four wheels adjusted to the same level and touching the ground	Adjust the wheels	Ask professional to maintain	
	Fixing screws of compressor or condenser are loose		Screws fixed tightly or not	Tighten the screws	Ask professional to maintain.	
	Compressor or fan defective		Check the Compressor or fan	Ask help of professional to repair.	Ask help of professional to repair.	
Condenser fan is working, but the compressor doesn't operate	The plug of starter or heat relay is loose		Check the starter and heat relay	Install the starter or heat relay	Ask professional to maintain.	
	Compressor defective		Check the resistance of compressor CSM terminal	Change new compressor	Ask professional to maintain.	
	Voltage is lower than 97V or higher than 130V		Check the input Voltage	Use a voltage stabilizer		
Evaporator fan Not running	Fan switch defective		Check the resistance of switch	Change the switch	Ask professional to maintain	
	Fan switch terminal is not connected properly		Check the circuit of the fan switch	Connect the switch terminal or change a new terminal		

Notice: The following are not trouble but common phenomenon:

## **User's Manual**

---

1. Sound, the refrigerant flows inside the cooler.
2. Compressor and condenser become hot.
3. If the ambient humidity is high, there may be dewdrop on the surface, please use soft and dry cloth to clean in time.

