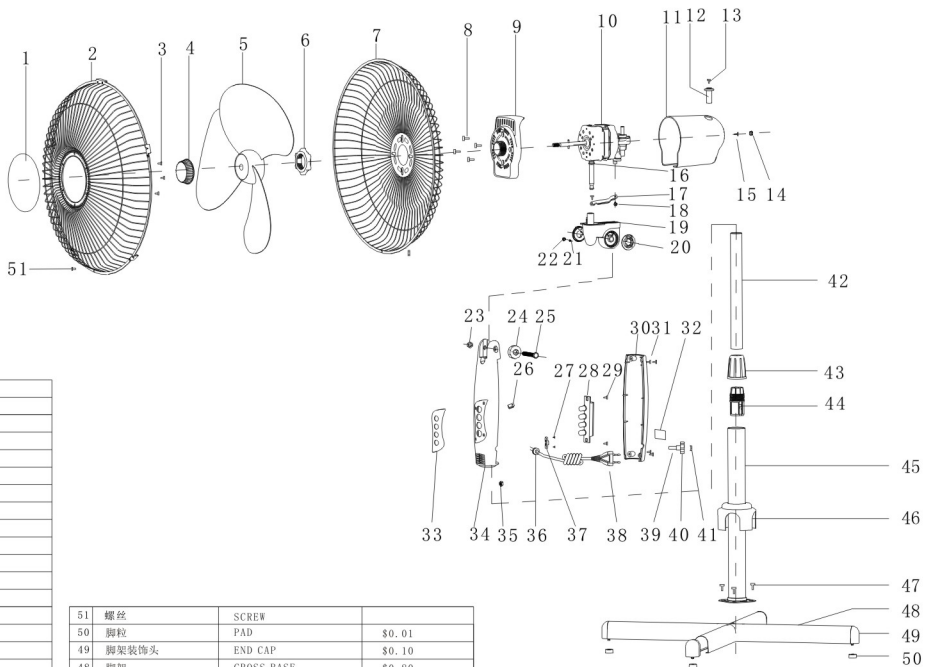


57	膨胀胶粒	PLASTIC PARTICLE	
56	膨胀胶粒螺丝	SCREW	
55	M6螺丝	M6 SCREW	
54	壁座	WALL FAN BASE	\$0.35
53	台扇脚粒	PAD	
52	台座	TABLE FAN BASE	\$0.65

32	锁开关盒螺丝	SCREW	
31	螺丝	SCREW	
30	开关盒后盖	SWITCH REAR COVER	\$0.18
29	螺丝	SCREW	
28	开关	SWITCH	\$0.20
27	螺丝	SCREW	
26	线夹	CLIP	
25	M8六角头螺栓	M8 SCREW	
24	M8梅花型螺丝套	M8 NUT	
23	螺母	NUT	
22	螺丝盖	SCREW COVER	
21	螺丝	SCREW	
20	齿轮片	WHEEL	
19	支架	NECK	\$0.06
18	螺丝	SCREW	
17	摇头连杆	OSCILLATION ARM	\$0.03
16	垫圈	PAD	
15	螺丝	SCREW	
14	螺丝盖	SCREW COVER	
13	螺丝	SCREW	
12	投珠	OSCILLATION KNOB	\$0.04
11	电机后壳	REAR MOTOR COVER	\$0.10
10	电机	MOTOR	\$3.00
9	前挡板	FRONT MOTOR COVER	\$0.19
8	螺丝	SCREW	
7	后网罩	REAR GRILL	\$0.70
6	网罩紧固螺母	SCREW FOR GRILL	
5	扇叶	BLADE	\$0.49
4	扇叶紧固螺母	SCREW FOR BLADE	
3	螺丝	SCREW	
2	前网罩	FRONT GRILL	\$0.70
1	风环	VANE	\$0.10



51	螺丝	SCREW	
50	脚粒	PAD	\$0.01
49	脚架装饰头	END CAP	\$0.10
48	脚架	CROSS BASE	\$0.80
47	螺丝	SCREW	\$0.90
46	脚杯	BASE COVER	\$0.80
45	大立管	STAND TUBE	\$0.50
44	立管紧固螺母	SCREW FOR STAND TUBE	\$0.02
43	立管紧固螺母	NUT FOR STAND TUBE	\$0.02
42	小立管	MIDDLE TUBE	\$0.35
41	M6梅花型螺丝套盖	COVER FOR SCREW	
40	M6梅花型螺丝套	NUT	
39	M6六角头螺栓	SCREW	
38	电源线及插头	WIRE&PLUG	\$0.50
37	压线码	CLIP	
36	护线圈	RING	
35	螺母	NUT	
34	开关前盖	FRONT COVER FOR SWITCH	\$0.18
33	开关面板	CONTROL PANEL	