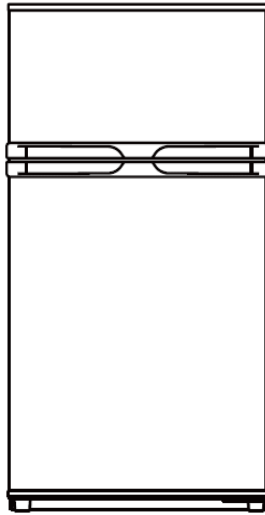


Service manual

Model: DF2-11 PRF316300HS

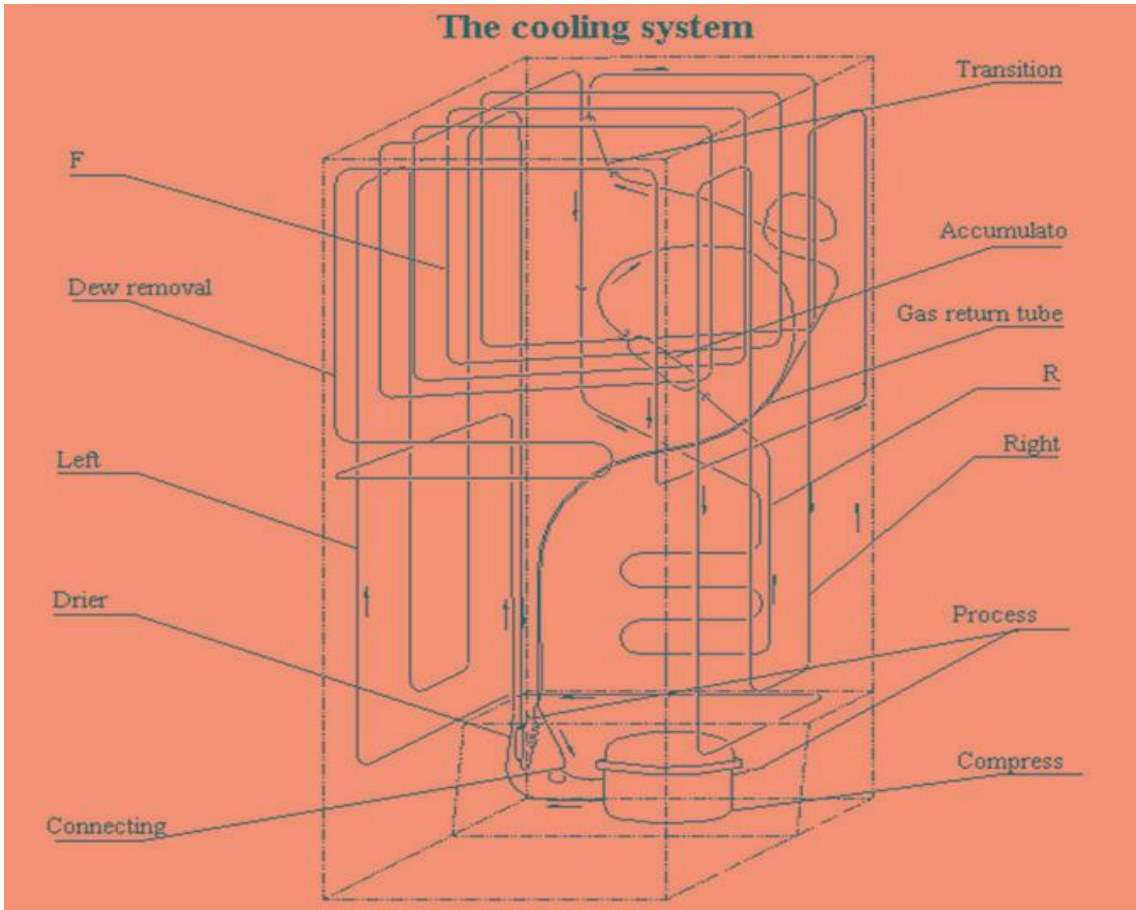


Contents

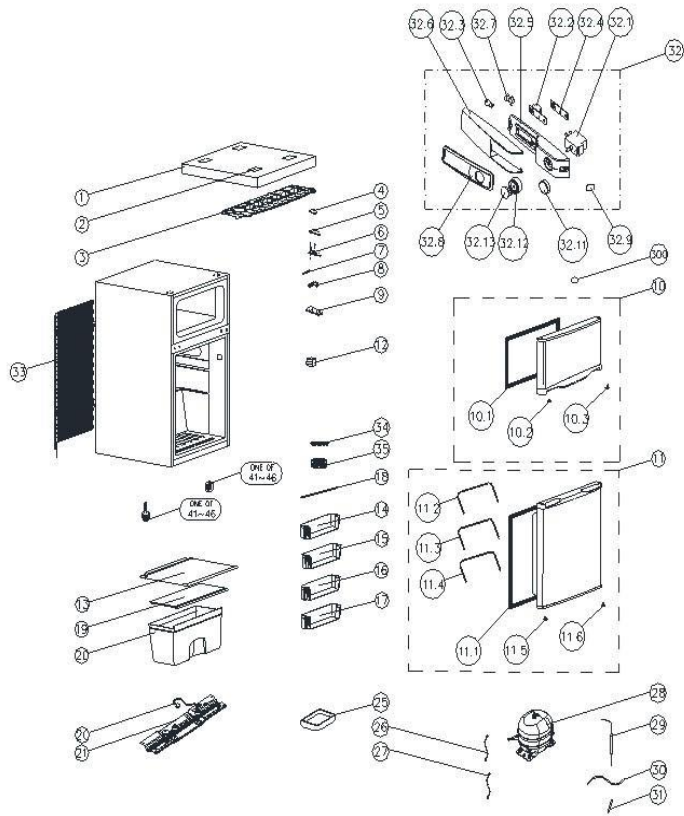
- 1 Cover
- 2 Product description
- 3 The cooling system
- 4 Exploded view
- 5 Spare Parts list
- 6 Trouble shooting guide

BRAND:	Premium Levella	
MODEL:	PRF316300HS	
PRODUCT DESCRIPTION:	Mini Bar, glass shelves, crystal crisper, recessed handle	
Color	Inox	
LOADING QTY/40HQ	274	
PRODUCT DIMENSION (W*D*H mm)	480*500*850	
PACKING DIMENSION (W*D*H mm)	500*540*885	
PRODUCT WEIGHT (Kg):	Gross Weight (G.W)	Net Weight (N.W)
	26	24
Total Gross Capacity (Cu.Ft)	87	
Total Net Capacity (Cu.Ft)	85	

The cooling system



General exploded view



No.	Homa Code	Description of Spare Part	Quantity
4	20122080036	Door hinge screw cover	1
5	20122080091	Door hinge cover	1
6	3031400148	Upper door hinge	1
7	2208101188	Middle hinge washer	1
8	3031400116	Middle door hinge	1
9	3031400067	Lower door hinge	1
10	2100152587	Upper door	1
10.1	3020400145	Upper door gasket	1
10.2	20122090005	Right Aid Closer Of Upper Door	1
10.3	20122090011	Left Aid Closer Of Upper Door	1
11	2100152588	Lower door	1
11.1	3020400146	Lower door gasket	1
11.2	3031500031	Door joist, straight	1
11.3	3031500044	Door joist, curved	1
11.4	3031500011	Lower door joist	1
11.5	20122090162	Right Aid Closer Of Lower Door	1
11.6	20122090179	Left Aid Closer Of Lower Door	1
12	2501100002	Door switch	1
13	20120020226	Fridge shelf assembly	1
17	3031500055	Bottle rack for drinks	1
18	3020500092	Upper door joist	1
19	2207400523	Crisper drawer assembly	1
20	20120030010	Cover of crisper drawer	1
21	3050100117	Power supply cord	1
22	3039900264	Compressor bracket	1
25	20122990039	Drain pan	1
26	3050200095	Earthing wire of compressor	1
28	2400100282	Compressor	1
29	3040500011	Drier filter	1
30	20114070006	Connecting tube	1
31	3040600005	Process tube	1
32	20120010085	Thermostat controller	1
32.1	2400200005	Thermostat	1
32.11	20122010037	Thermostat Knob	1
32.3	2500500002	Light Bulb	1
32.5	20122010002	Controller Shell	1
32.6	20122010048	Lamp Cover	1
32.7	2500600001	Light Holder	1

42	20122990019	Higher Leveling Foot	1
44	20122990006	Shorter Leveling Foot	1
300	2700501337	Trademark	1
301	2700117929	Carton	1

Trouble shooting guide

No	Problem	Possible Cause	What To Do
1	Refrigerator room temperature Ok and compressor running Fan not working Freezer room temperature not enough cold No air in the freezer air outlets	the fan motor failure	1- Open the cover board of the air duct in the freezer room and check the fan 2- If not running, measure the voltage between the red wire and black wire of fan 3- If the voltage is 12V, the fan motor is failure and replace it with a new one
		the failure of the inner wire to fan connector	1- Measure the voltage between the CN2 red and black wire of PCB 2- If the voltage is 12V, check from the inner wire to fan connector
		the PCB failure	1- Measure the voltage between the CN2 red and black wire of PCB 2- If the voltage is zero, then the PCB failure and change a new PCB
2	No defrost Freezer room temperature is not cold enough Refrigerator room: duct and ice formation on the evaporator	the drainpipe contains impurity	1- Disconnect power, and let the ice melt and inspect the water if it is flowing through the drain pipe 2- If not, check if there is impurity and clean the drain pipe
		the sensor failure or PCB failure	1- Check the fuse 2- If the fuse is melted, it means that the sensor failure or PCB failure 3- Change the sensor or PC
		the defrost heater is broken or PCB failure	1- Check the CN4 defrost heater two connector 2- If the heater is OK then is the PCB failure and change the PCB
3	The temperature of the freezer and refrigerator is not cold enough The temperature can not be adjusted by the potentiometer (thermostat)	the potentiometer failure	1- Inspect the potentiometer (thermostat) 2- Measure the resistance value by adjusting the potentiometer (thermostat) 3- The resistance value is not changed by adjusting the potentiometer (thermostat)
		the sensor failure	1- If the potentiometer (thermostat) setting is below 3 degrees, the compressor will be running 20 minutes and then stop 30 minutes 2- If the potentiometer (thermostat) setting is more than 3 degrees, the compressor will be running 30 minutes and then stop 20 minutes 3- If the compressor works like the above situation, it means the sensor failure 4-Open the back of the refrigerator and change the sensor of the refrigerator evaporator

4	LED light is not working	the led failure	<p>1- Open the refrigerator door and measure the voltage of CN3 in the PCB</p> <p>2- If the voltage is zero then it means the connecting wire failure</p> <p>3- If the voltage is 12V, it means the led failure</p>
		the switch circuit failure	<p>1- If the CN3 voltage is not 12V, then check the CN4 voltage</p> <p>2- If the CN4 voltage is not changed by closing and opening the door, it means the switch circuit failure</p>
5	Compressor not start running	no problem	<p>1- The time between two starting is shorter than 12min</p> <p>2- The refrigerator room temperature is lower than the set temperature</p> <p>3- In this case, it is no problem. Please wait for longer</p>
		PCB failure	<p>PCB has automatic self-examination:</p> <p>1- Open the cover of PCB at the back of the product, plug-in power and push the SW101, switch 3 seconds and the PCB begin automatic self-examination program</p> <p>2- Then the led, compressor, fan and defrost heater will work for two seconds and then stop and quit the automatic self-examination program. After that, the program will reset to the original setting.</p> <p>3- If the automatic self-examination program is not working, it means the PCB failure and needed to be changed</p>
		compressor wire failure or compressor damage	<p>1- Measure the voltage of compressor input connector</p> <p>2- If it is OK then check the starting and relay of the compressor</p> <p>3- Also check the wire if it is OK</p>
6	Not woeking at all	the PCB failure	<p>1- Check the power by multimeter</p> <p>2- If the input voltage is 220V-240V, but the led, compressor, fan, and defrost heater are all not working, it means the PCB failure and needed to be changed</p>