

Service manual

Model: BD1-251 PFR87300HM

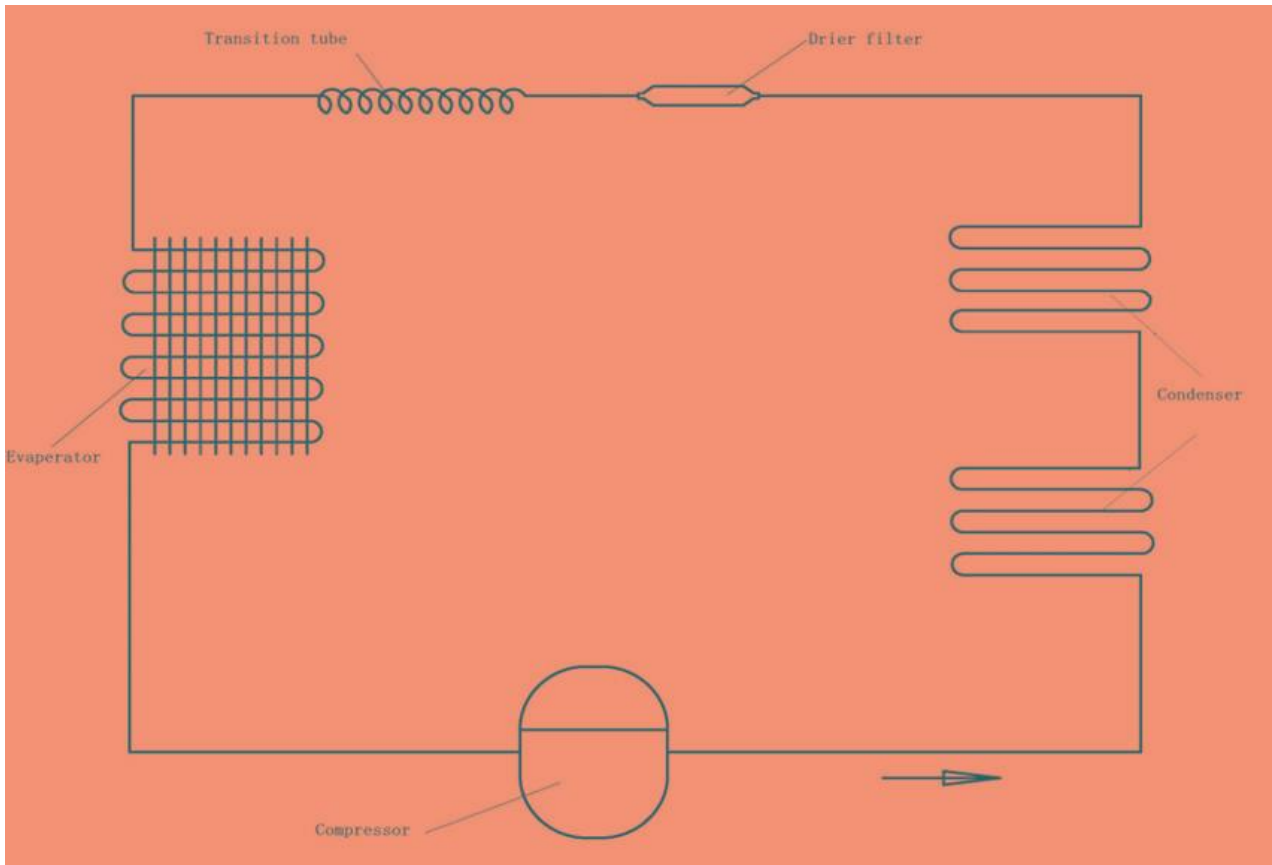


Contents

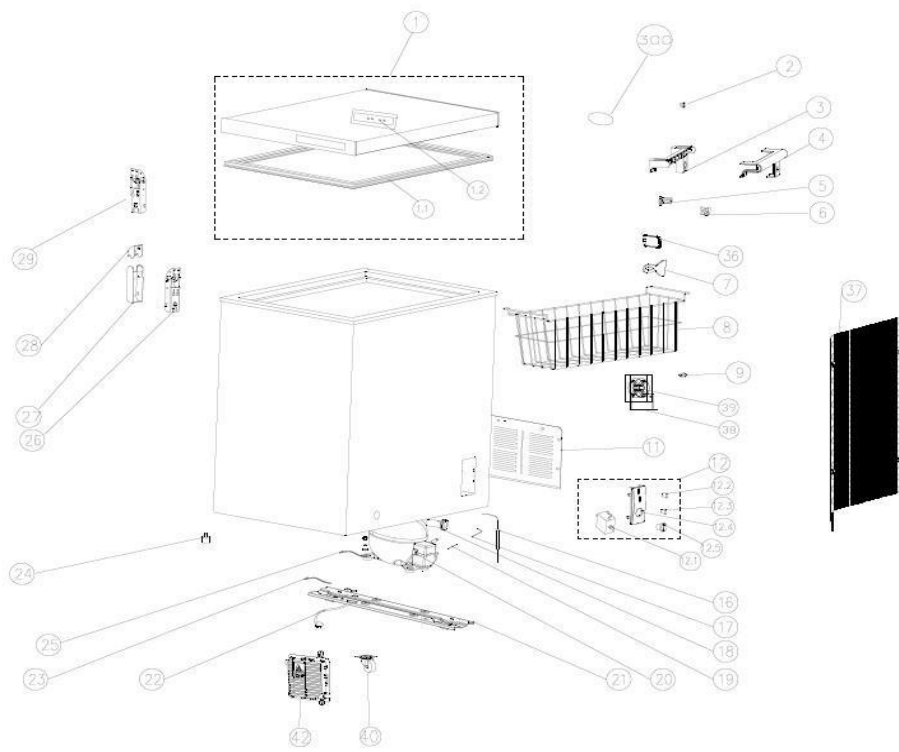
- 1 Cover
- 2 Product description
- 3 The cooling system
- 4 Exploded view
- 5 Spare Parts list
- 6 Trouble shooting guide

BRAND:	Premium Levella	
MODEL:	PFR87300HM	
PRODUCT DESCRIPTION:	Chest Freezer, Recessed Handle, 1 Wire Basket	
Color	White	
LOADING QTY/40HQ	125	
PRODUCT DIMENSION (W*D*H mm)	954*616*845	
PACKING DIMENSION (W*D*H mm)	990*640*885	
PRODUCT WEIGHT (Kg):	Gross Weight (G.W)	Net Weight (N.W)
	38	34
Total Gross Capacity (Cu.Ft)	251	
Total Net Capacity (Cu.Ft)	246	

The cooling system



General exploded view



No.	Homa Code	Description of Spare Part	Quantity
1	2150110328	Door	1
1.1	2200200157	Door gasket	1
8	2305100020	Food basket	1
9	2207700242	Drain-pipe plug	1
11	2207700236	Cover of compressor	1
12	2500800788	Controller	1
12.1	2400200004	Thermostat	1
12.2	3050500011	Indicator light A	1
12.4	2207100326	Thermostat panel	1
12.5	20122010167	Thermostat knob	1
16	2400500027	Drier filter	1
17	20114070006	Connecting tube	1
18	2207700054	Drain-pipe decorative cover	1
19	3040600005	Process tube	1
20	2400100349	compressor	1
21	2157100003	Compressor base support	1
22	3050100142	Power supply cord plug	1
23	2500200011	Connecting wire of compressor	1
24	20122990812	Long adjust foot	2
25	3050200095	Ground wire of compressor	1
26	3031400173	Door hinge assembly,left	2
27	2208101160	Cover of door hinge,lower	2
28	3039900310	Cover of door hinge,upper	2
300	2700501632	Trademark	1
301	2700121747	Carton	1

Trouble shooting guide

No	Problem	Possible Cause	What To Do
1	Refrigerator room temperature Ok and compressor running Fan not working Freezer room temperature not enough cold No air in the freezer air outlets	the fan motor failure	1- Open the cover board of the air duct in the freezer room and check the fan 2- If not running, measure the voltage between the red wire and black wire of fan 3- If the voltage is 12V, the fan motor is failure and replace it with a new one
		the failure of the inner wire to fan connector	1- Measure the voltage between the CN2 red and black wire of PCB 2- If the voltage is 12V, check from the inner wire to fan connector
		the PCB failure	1- Measure the voltage between the CN2 red and black wire of PCB 2- If the voltage is zero, then the PCB failure and change a new PCB
2	No defrost Freezer room temperature is not cold enough Refrigerator room: duct and ice formation on the evaporator	the drainpipe contains impurity	1- Disconnect power, and let the ice melt and inspect the water if it is flowing through the drain pipe 2- If not, check if there is impurity and clean the drain pipe
		the sensor failure or PCB failure	1- Check the fuse 2- If the fuse is melted, it means that the sensor failure or PCB failure 3- Change the sensor or PC
		the defrost heater is broken or PCB failure	1- Check the CN4 defrost heater two connector 2- If the heater is OK then is the PCB failure and change the PCB
3	The temperature of the freezer and refrigerator is not cold enough The temperature can not be adjusted by the potentiometer (thermostat)	the potentiometer failure	1- Inspect the potentiometer (thermostat) 2- Measure the resistance value by adjusting the potentiometer (thermostat) 3- The resistance value is not changed by adjusting the potentiometer (thermostat)
		the sensor failure	1- If the potentiometer (thermostat) setting is below 3 degrees, the compressor will be running 20 minutes and then stop 30 minutes 2- If the potentiometer (thermostat) setting is more than 3 degrees, the compressor will be running 30 minutes and then stop 20 minutes 3- If the compressor works like the above situation, it means the sensor failure 4- Open the back of the refrigerator and change the sensor of the refrigerator evaporator

4	LED light is not working	the led failure	<p>1- Open the refrigerator door and measure the voltage of CN3 in the PCB</p> <p>2- If the voltage is zero then it means the connecting wire failure</p> <p>3- If the voltage is 12V, it means the led failure</p>
		the switch circuit failure	<p>1- If the CN3 voltage is not 12V, then check the CN4 voltage</p> <p>2- If the CN4 voltage is not changed by closing and opening the door, it means the switch circuit failure</p>
5	Compressor not start running	no problem	<p>1- The time between two starting is shorter than 12min</p> <p>2- The refrigerator room temperature is lower than the set temperature</p> <p>3- In this case, it is no problem. Please wait for longer</p>
		PCB failure	<p>PCB has automatic self-examination:</p> <p>1- Open the cover of PCB at the back of the product, plug-in power and push the SW101, switch 3 seconds and the PCB begin automatic self-examination program</p> <p>2- Then the led, compressor, fan and defrost heater will work for two seconds and then stop and quit the automatic self-examination program. After that, the program will reset to the original setting.</p> <p>3- If the automatic self-examination program is not working, it means the PCB failure and needed to be changed</p>
		compressor wire failure or compressor damage	<p>1- Measure the voltage of compressor input connector</p> <p>2- If it is OK then check the starting and relay of the compressor</p> <p>3- Also check the wire if it is OK</p>
6	Not working at all	the PCB failure	<p>1- Check the power by multimeter</p> <p>2- If the input voltage is 220V-240V, but the led, compressor, fan, and defrost heater are all not working, it means the PCB failure and needed to be changed</p>