



PREMIUM SERVICE

Service Manual

Water Dispenser

Model : PWC200T

IMPORTANT SAFETY NOTICE

The information in this service guide is intended for use by individuals possessing adequate backgrounds of electrical ,electronic and mechanical experience .Any attempt to repair a major appliance may result in personal injury and property damage .The manufacture or seller cannot be responsible for the interpretation of this information ,nor can it assume any liability in connection with its use.

WARNING

To avoid personal injury ,disconnect power before servicing this product .If electrical power is required for diagnosis or test purpose ,disconnect the power immediately after performing the necessary checks .

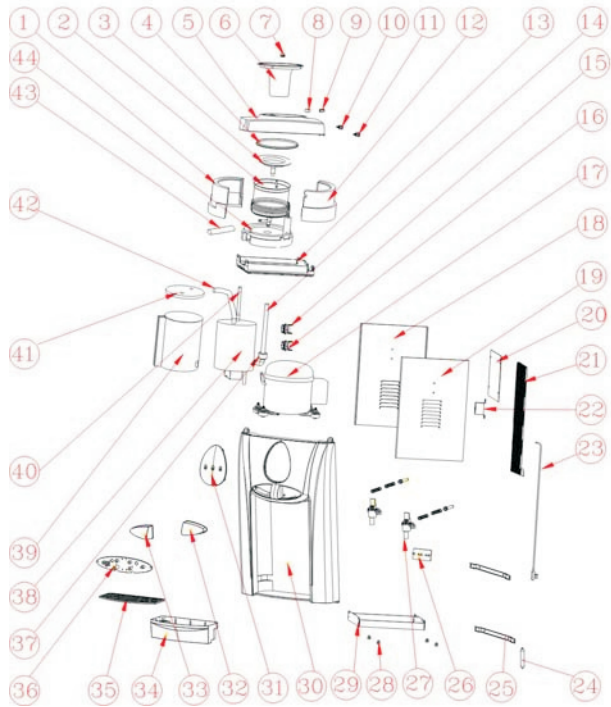
RECAPITULATING

This machine is one of water dispenser series. With adoption of distinctive thermal isolation technology, it can minimize thermal exchange between hot & cold water. It satisfy the need of cooking tea & coffee and making cool drink. Its suitable for the use at home and in public.

The machine is suitable for bottle of 3 or 5 gallons .Don't use unhealthy hard water .And it should work under environment of temperature from 10°C ~ 38°C, relative humidity not higher than 90%.

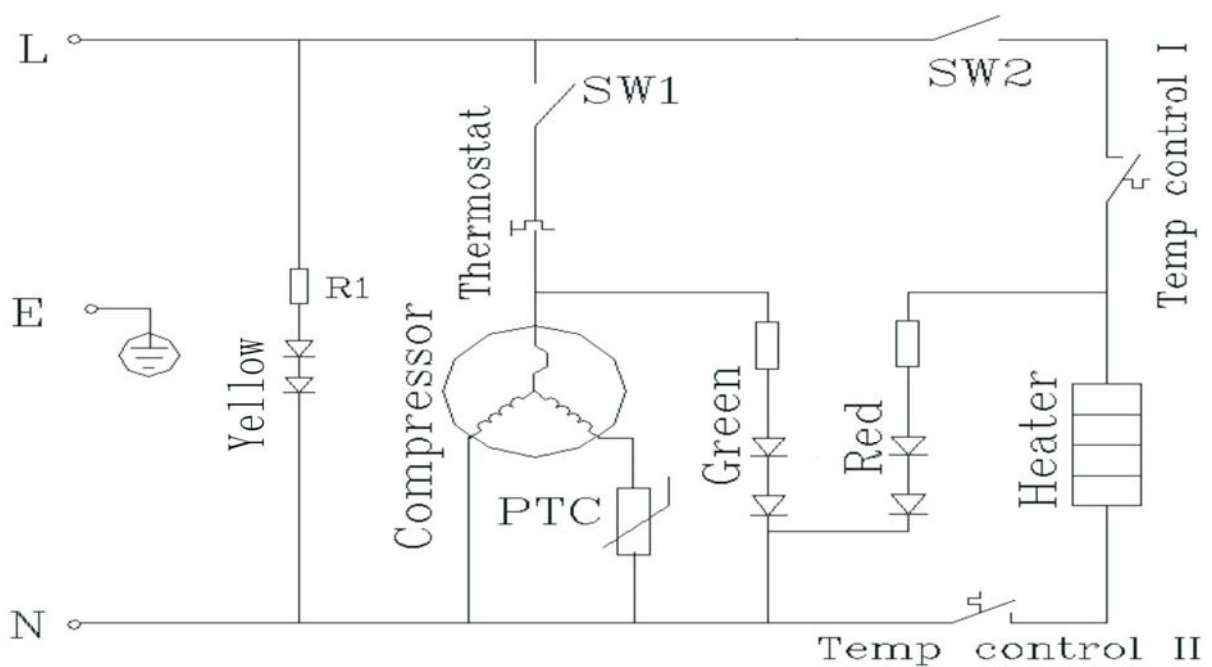
PARTS LIST AND EXPLODE VIEW

EXPLODED VIEW
Model:PWC200T



44	Bottom Insulating Foam	1	22	Thermostat (Water)	1
43	Cold Water Pipe(Out)	1	21	Condenser	1
42	Hot Water Pipe(Out)	1	20	Back Cover	1
41	Upper Insulating Sponge	1	19	Right Side Panel	1
40	Overfall Pipe	1	18	Left Side Panel	1
39	Side Insulating Sponge	1	17	Compressor	1
38	Hot Water Tank	1	16	Temp Control II	1
37	Check Valve	1	15	Temp Control I	1
36	Key-press baffle	1	14	Hot Water Pipe(In)	1
35	Drip Tray Cover	1	13	Cold Tank Holder	1
34	Drip Tray	1	12	Right Insulating Foam	1
33	Water Tap(Hot)	1	11	Rocker Switch(Green)	1
32	Water Tap(Cold)	1	10	Rocker Switch(Red)	1
31	PCB box cover (indicator)	1	9	Filter Sponge	1
30	Front Carapace	1	8	Filter Cover	1
29	Bottom Base	1	7	Feed Probe	1
28	Rubber Foot	4	6	Bottle Supporter	1
27	Water Outlet	1	5	Upper Cover	1
26	PCB(Indicator)	1	4	Sealing Ring	1
25	Condenser Supporter	2	3	Separator	1
24	Dry Fliter	1	2	Cold Water Tank	1
23	Power Cord	1	1	Left Insulating Foam	1
NO.	Parts Name	QTY	NO.	Parts Name	QTY

CIRCUIT DIAGRAM

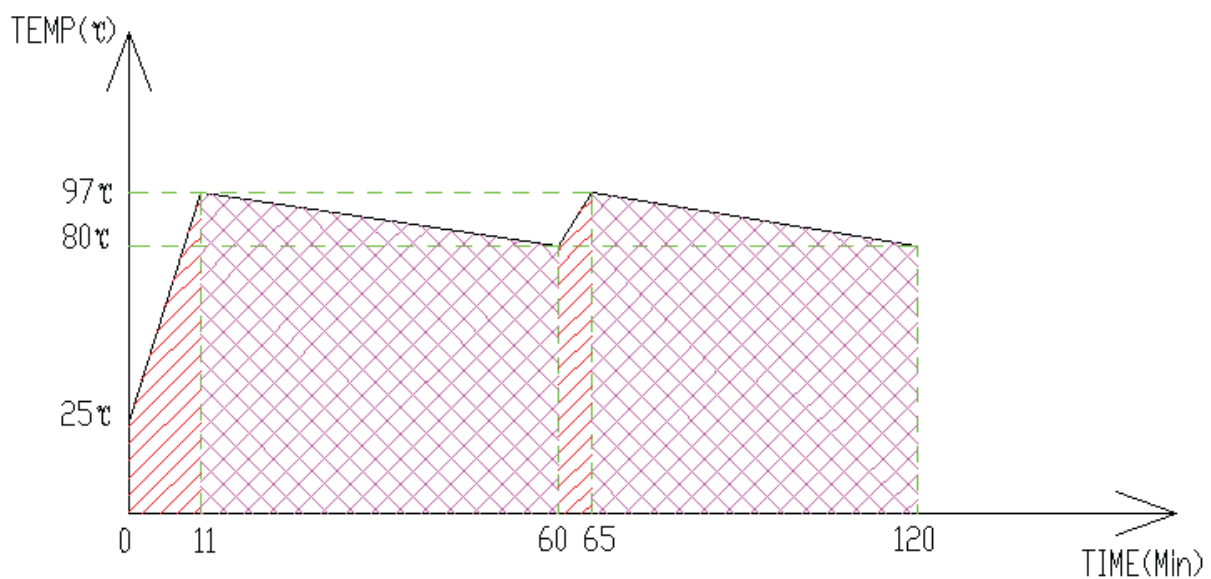


FUNCTION

Heating System:

Theory : The stainless steel heater is directly touched with the water in the hot tank ,and let the water hot .

Heating Diagram:



Area of Heating

Area of Keeping Warm

Hot Water Tank:

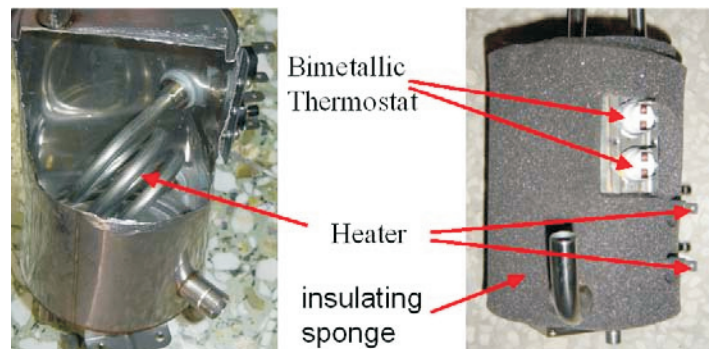
Power : 420W

The Water Temperature : $\geq 90^{\circ}\text{C}$

Hot Water Tank Material : SUS304

Hot Water Tank Capacity : 5.0L/hour

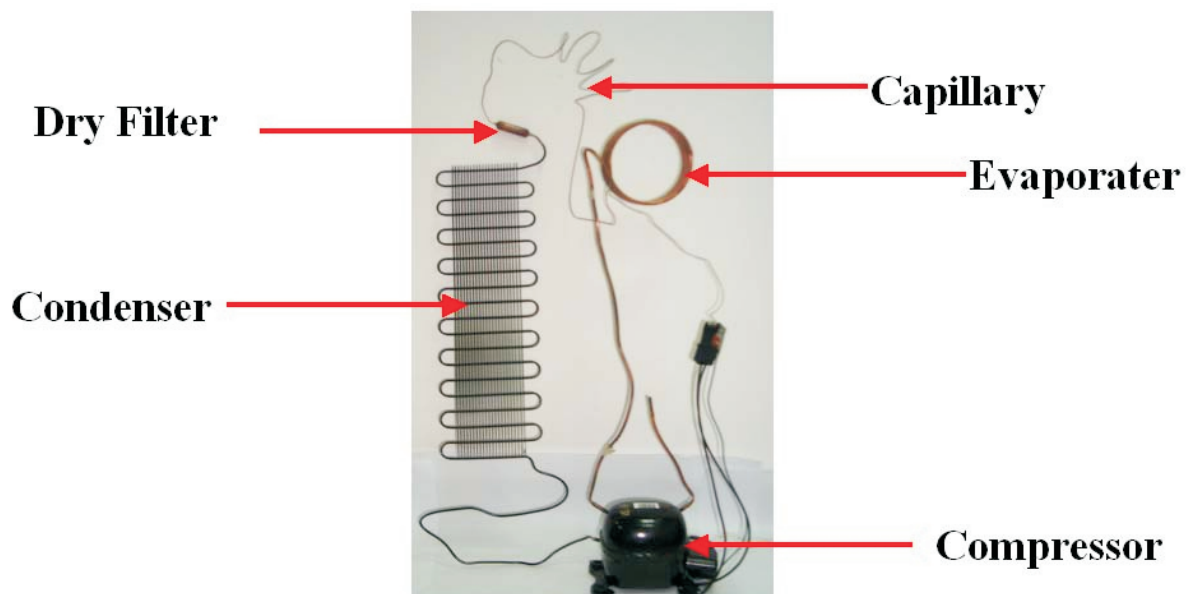
Temperature Control : Double Bimetallic Thermostat (Chinaware)



Cooling System:

Theory : The compressor changes the refrigerant between liquid and vapour ,and let the water and refrigerator cool .

Parts View:



System Data:

Power : Power : 75W~130W

The Water Temperatue : $\leq 10^{\circ}\text{C}$

Cold Water Tank Material : SUS304

Cold Water Tank Capacity : 2.0L/hour

TROUBLE SHOOTING

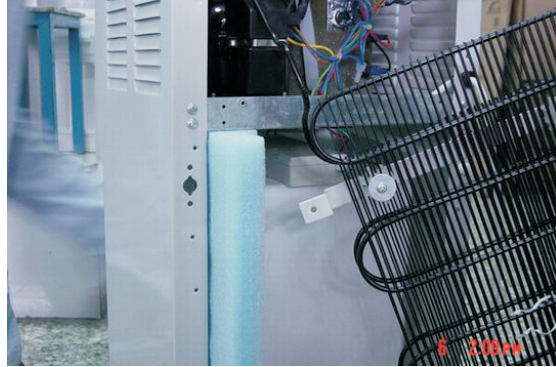
NO.	PROBLEM	POSSIBLE CAUSES	ELIMINATION
1	No hot water	The power off	Plug the power plug closely
		The heating switch off	Turn on the heating switch
		Connection terminal loose	Fix the connection terminal
		Heating thermostat failure	replace the thermostat
		Temperature control I failure	Replace temp control
		The heater short circuit or burn out	Replace heater or hot tank
2	Water not hot enough	Use water enough in a short time	Wait for a moment and use it
		Connection terminal failure	Maintance or replance it
		Temperature control II failure	Replance it.
3	The machine working in condition but heating light of f	PCB connection loose	Fisup connection
		LED strike down	Replace it
		PCB burn out	Replace it
4	No cold water (compressor cooling)	Cold switch invalidation	Fix or replace it
		PTC mangled	Replace PTC.
		Thermostat I invalidation	Adjust or replace it
		Cooling system block	Repair it by maintain center
		Refrigerant leakage	
		Compressor badness	
5	Water not cold enough	Cold water use much	Wait for a moment and use
		Temperature higher than normal	Turn off the machine and cooling it
		Thermostat invalidation	Adjust thermostat
		There is a lack of refrigerant	Add rigerant
6	Cooling time longer than normal	Condenser surface gather dust	Cleat out dust
		Refrigerant leakage or loss	Add refrigerant or repair it
		Compressor failure	Fix compressor or replace it
7	No water running out from taps	empty bottle	replace it with another one.
		Pressure of bottle inner lower than outside	replace it with another one.
		Ice block the pipe	Turn off the compressor for a while
		Water tap failure	Replace it
		There is air or gas in the bottle	Push tap and let air out
		The water tube fold	Reinstall or adjust it
8	Hot or cold water is Shortage	The water tube fold	Reinstall or adjust it
		Ice or others block the pipe	Clear away the block
		Wate tap aging	Replace water tap

NO.	PROBLEM	POSSIBLE CAUSES	ELIMINATION
9	Water dispenser leakage	Water tap leakage	Replace water tap
		Supporter leakage	Replace it
		The bottle leakage	Replace it
		Water tube aging and leakage	Replace it
		Check way leakage	Replace it
		Hot tank leakage	Replace it
		Evaporator comes out condensation	Seal the heat preservation foam
		Leakage from purify bottle	Replace purify bottle
10	Water dispenser is noisy	Heater tank produce scale	Clean it with detergent
		Ozonizer aging	Replace it
		Scrub with other part while compressor is working.	Adjust place each other
		Throttle place utter noise	Replace it by expert
11	Cooling system goes on working	Environment emperature higher than normal	Cooling or stop the machine for a while.
		Refrigerant leakage	Repair it by manufacture center
		Thermostat invalidation	Adjust or replace it
12	Heating system goes on working	Temperature controller invalidation	Replace it
13	Compressor starts frequent	Evaporator frost	Seal the heat preservation foam
		PTC invalidation	Replace it
		Vacuumize shortage	Repair it by expert
14	Hot and cold water mixed	Heat gas flow into cooling tank	Check and eliminate it
		Temperature control invalidation	Replace temperature control
		Check valve failure	Replace it
15	Foul odor in air around dispenser	Hot water tank is empty or not completely full.	Press the hot dispenser button until water flows to remove air from the hot tank.
16	Water has poor taste or odor	Separator needs cleaning.	See cleaning the separator
		Unit needs to be sanitized.	See cleaning and sanitizing the water tanks.

CRITICAL PARTS SERVICING

Hot Tank Test And Operation:

1. Disconnect the condenser and then disassemble the wire who connect the hot tank with power.



2. Test the thermostat with the multimeter and estimate the possible cause. If the thermostat works, the multimeter will appear data or beep, Contrarily then contrary.



3. Use the multimeter to check the heater. If the heater works, the multimeter will appear data or moo, Contrarily then contrary.



|| Compressor Test And Operation:

1. During working situation, the compressor is proved normal by its quiver.



2. Disconnect the PTC (Starter) cover and replace it.



3. Check the compressor through the terminal.

Normal : The resistance amount data is not more than 5 ohm. It is shown as diagram.

