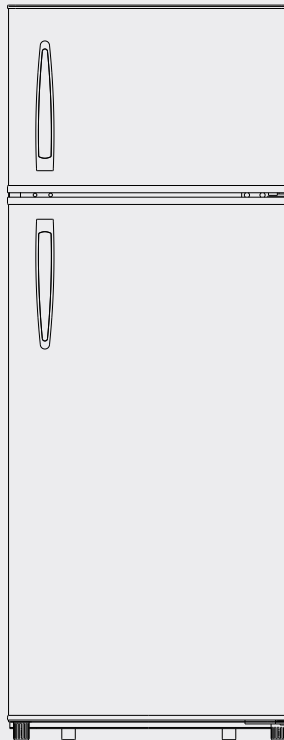


Premium

REFRIGERATOR

REFRIGERADOR



This product is for domestic use only

MODEL: PRFÍ Ì Î PÙ
MODELO:

Service Manual
Important Safeguards

TABLE OF CONTENTS

Specification	3
Safety Precautions	3
The Cooling System	4
Wire Diagram	5
Changing the Reversing Door	5
Changing the Bulb	9
Trouble Shooting	9

SPECIFICATION

ModelsPRF) , 6HS
Capacity	1.1 cu.ft.
Power Supply	115V/60Hz
Rated Input Power	100W
Rated Current	1.5 A
Rated Power of Lamp	10 W
Refrigerant/Amount	R600a / 1.34 oz
Net Weight	74.6lbs
Unit Dimension (HxWxD)	61" x 19" x 21"
Package Dimension (HxWxD)	64" x 20" x 22"
Loading QTY(40HQ)	150 pcs

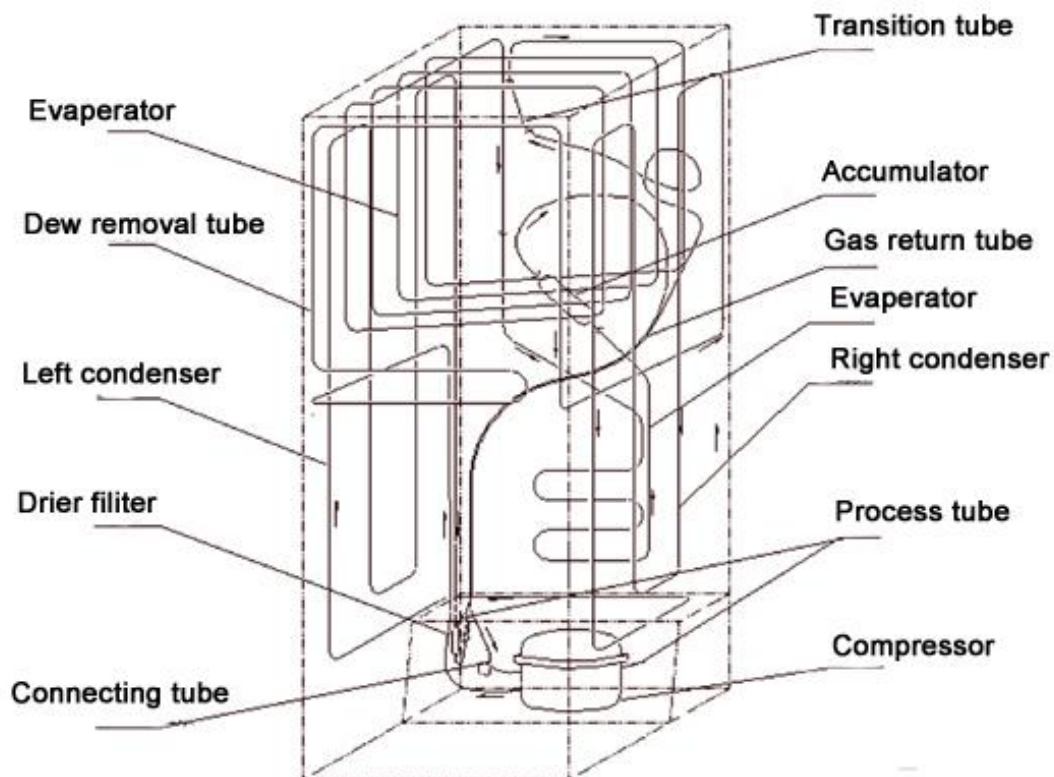
SAFETY PRECAUTIONS

The installation of this appliance is best carried out by 2 people.

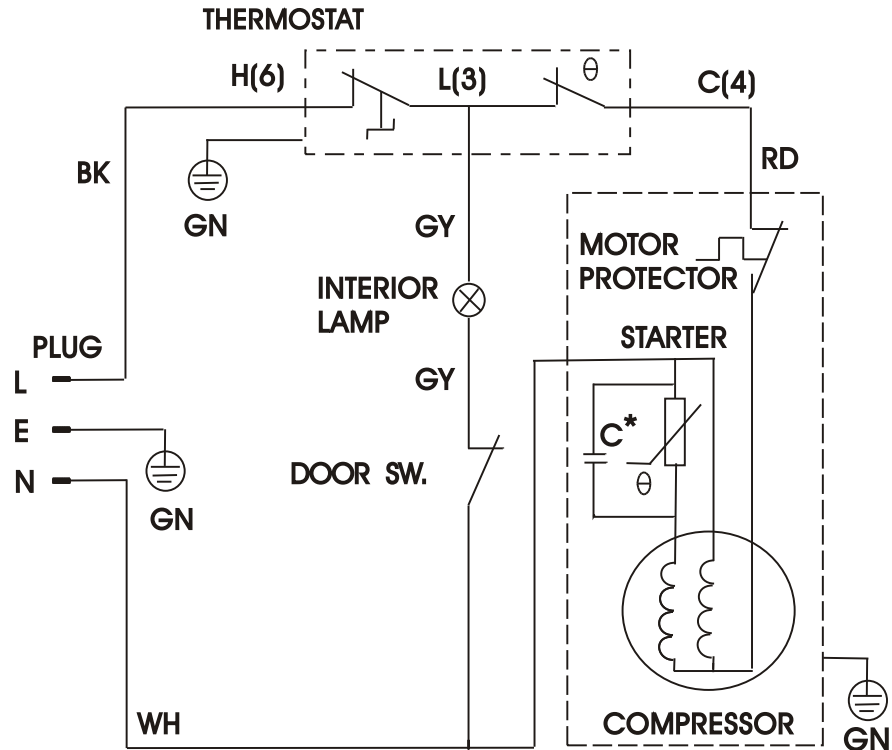
- Dispose of all packaging carefully and responsibly.
- The appliance is designed for **indoor use only** and must be protected from rain, moisture and extreme temperature variations.
- This appliance is designed for household use. **Do not** use the appliance for industrial and commercial use, or any other purpose.
- The appliance **MUST** be positioned on a firm level base.
- **Do not** splash water on the appliance. It may cause electrical parts to fail and result in an electric shock.
- Leave the appliance in its intended place of installation and in its correct orientation for at least 4 hours before switching on to allow the cooling system to settle before first use or after any transportation.
- *This appliance is an environmental friendly product and it contains non CFC / HFC gas substances in the cooling system (Called R600a) and in the insulation (Called cyclopentane) which are potentially flammable if exposed to fire. Therefore, take care not to damage, the cooling circuit / pipes of the appliance in transportation and in use. In case of damage do not expose the appliance to fire, potential ignition source and immediately ventilate the room where the appliance is situated.*
- **Do not** sit, stand or place any other heavy objects on top of the appliance. This could result in injury or damage to the appliance.
- **Do not** allow children to play with the appliance to avoid the risk of entrapment and suffocation.

- Keep ventilation opening, in the appliance enclosure or in the built-in structure, clear of obstruction
- This appliance is not intended for use by persons (including children) with reduced physical, sensory or mental capabilities, or lack of experience and knowledge, unless they have been given supervision or instruction concerning use of the appliance by a person responsible for their safety. Children should be supervised to ensure that they do not play with the appliance.
- This appliance is not intended for use by young children or infirm persons unless they have been adequately supervised by a responsible person to ensure that they can use the appliance safely. Young children should be supervised to ensure that they do not play with the appliance.
- **Do not** use mechanical, electrical or chemical way to speed up the defrost process not recommended by the manufacturer.
- **Do not** use or place other electrical products inside the appliance not recommended by the manufacturer.
- **Do not** store liquids in glass containers in the freezer compartment as these may shatter.
- **Do not** store flammable materials such as alcohol, gasoline, LP gas or glue etc in the appliance.
- In case there is an inflammable gas leaking, open the window for air circulation and do not pull out the plug or turn the temperature knob. **Do not** touch the appliance until the valve of gas is turned off. Otherwise, sparks may happen.

COOLING SYSTEM



WIRE DIAGRAM



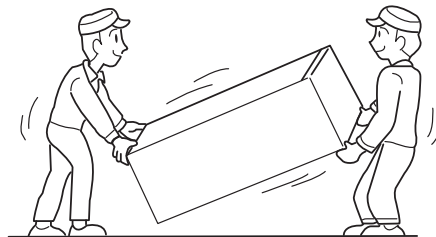
CHANGING THE REVERSING DOOR

Before reversing the door swing, ensure the appliance is unplugged and empty. Provide additional support for the doors while hinges are being removed. Do not depend on the door magnets to hold the door in place. It is recommended that two people perform this task. DO NOT lay the appliance completely flat as this may damage the coolant system.

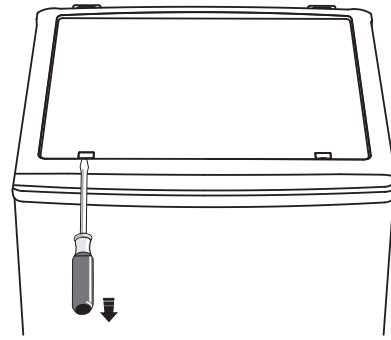
TOOLS REQUIRED

Phillips style screwdriver / Flat bladed screwdriver / Hexagonal spanner

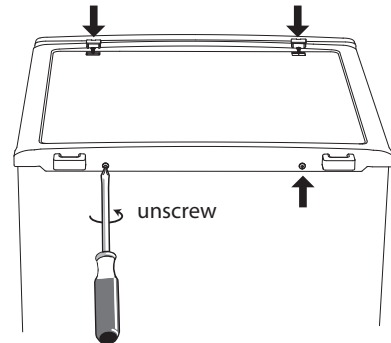
1. Tilt the unit slightly towards the rear and prop it securely. Two people are required to tilt the unit during the door reversal process.



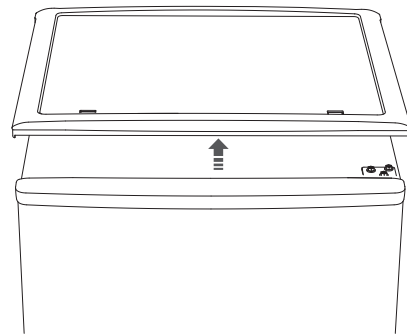
2. Remove the 2 screw covers first, then undo the screws underneath.



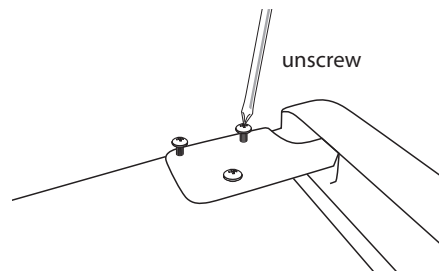
3. Remove the 2 screws on the back.



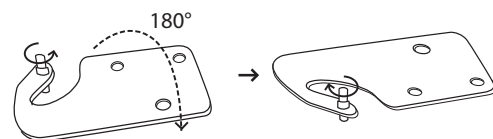
4. Lift the top cover away from the fridge.



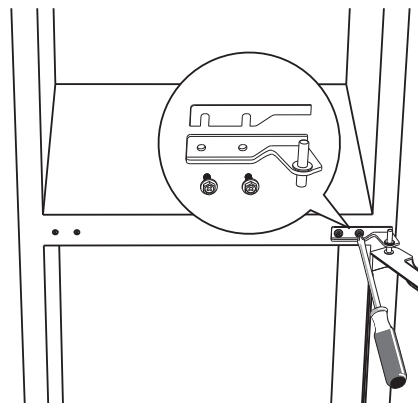
5. Remove the three screws, then remove the upper hinge that hold the door in place. Lift the door and place it on a padded surface to prevent it from scratching.



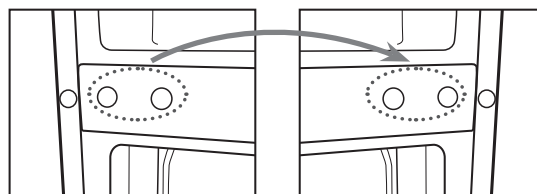
6. Remove the bolt with a screwdriver and flip the hinge bracket. Then reattach the bolt to the hinge bracket.



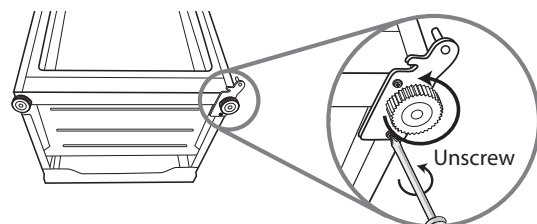
7. Take off the middle hinge by removing the screws. And then lift the lower door and place it on a padded surface to prevent it from scratching.



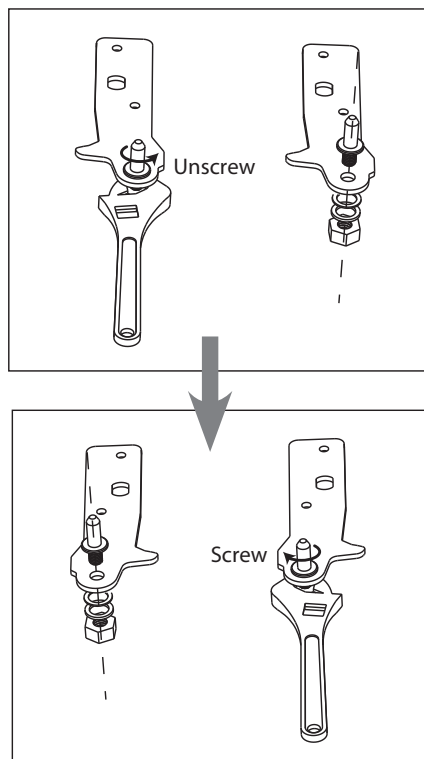
8. Move the hinge hole cover of lower door from left side to right side.



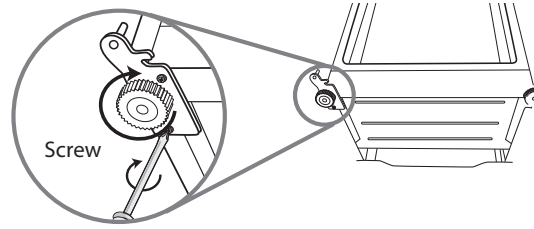
9. Remove the screws and bottom hinge. Then remove the adjustable feet from both side.



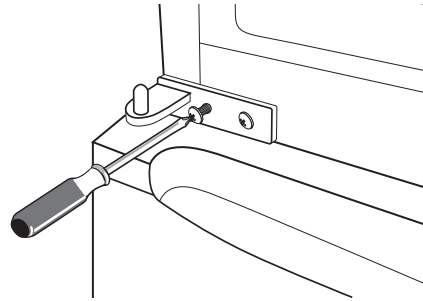
10. Unscrew and remove the bottom hinge pin, turn the bracket over and replace it.



11. Refit the bracket fitting the bottom hinge pin. Replace both adjustable feet. Transfer the lower door to the property position.

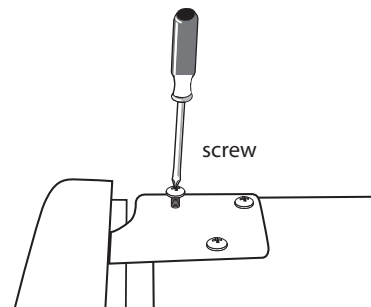


12. Make the middle hinge reverse the direction 180°C, then transfer it to the left property position. Make the middle hinge pin in the upper hole of the lower door, then tight the bolts.

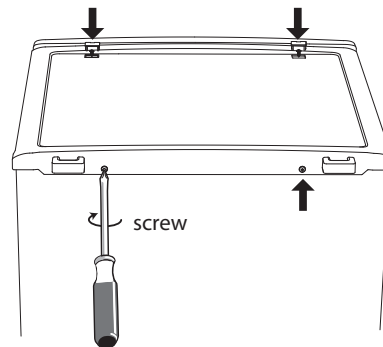


Ensure the freezer door is aligned horizontally and vertically, so that the seals are closed on all sides before finally tightening the hinge.

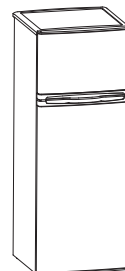
13. Place the upper door back on. Ensure the fridge door is aligned horizontally and vertically so that the seals are closed on all sides before finally tightening the top hinge.



14. Insert the hinge bracket and screw it to the top of the unit.
15. Use a spanner to tighten it if necessary.
16. Put the top cover and then screw back.

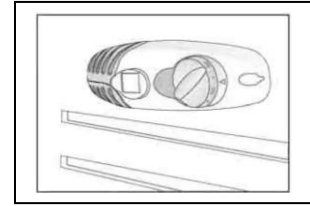


17. With the doors closed, check that the doors are aligned horizontally and vertically and that the seals are closed on all sides before finally tightening the bottom hinge. Re-adjust the levelling feet as needed.



REPLACING THE BULB

- Unplug the AC power cord from the wall.
- Remove the screw that holds the light bulb cover.
- Remove the light bulb cover.
- Unscrew the bulb.
- Replace with a 10 watt bulb that is the same shape and size.
- Replace the light bulb cover



TROUBLESHOOTING GUIDE

PROBLEM	POSSIBLE CAUSE
Unit does not operate.	Not plugged in. The circuit breaker tripped or a blown fuse. The unit temperature control is set at "0" position.
Turns on and off frequently.	The room temperature is hotter than normal. A large amount of food has been added to the unit. The door is opened too often. The door is not closed completely. The temperature control is not set correctly. The door gasket does not seal properly. The unit does not have the correct clearances.
Vibrations.	Check to assure that the unit is level.
The unit seems to make too much noise.	The rattling noise may come from the flow of the refrigerant, which is normal. As each cycle ends, you may hear gurgling sounds caused by the flow of refrigerant in your unit. Contraction and expansion of the inside walls may cause popping and crackling noises. The unit is not level.
The door will not close properly.	The unit is not level. The door was reversed and not properly installed. The gasket is dirty or bent. The shelves, bins, or baskets are out of position.

The word "Premium" is written in a serif font, with a horizontal line above the 'i'. It is enclosed in a white oval shape that has a thin black outline. The logo is positioned in the bottom right corner of the page, overlapping a dark grey footer area.

Premium

Manual de mantenimiento
Precauciones importantes

Este producto es para uso doméstico únicamente.