

# Premium

## Freestanding Gas Stove

MODEL: PGS2000 PGS2009SK PISCIS

(Maximum power: 26W)

### Installation and Maintenance Manual

Manual de uso y cuidado  
Precauciones importantes

Este producto es para uso domestico únicamente.

# Premium

This product is for domestic use only

Use & Care Manual  
Important Safeguards



## Warning

- Maintenance products should be carried out by professional and technical personnel with relevant qualification, as improper maintenance may lead to other dangers!
- Before maintenance, be sure to cut off the power!
- If the power lines have fault hidden dangers, it is required to replace the power lines with relevant technical parameters (see the manual for parameters)!
- Before maintenance of product, please read the safety warnings in this manual carefully!

Table

---

|  |   |
|--|---|
| <b>SPECIFICATIONS</b> .....              | 1 |
| TECHNICAL INFORMATION.....               | 1 |
| <b>INSTALLATIONS</b> .....               | 2 |
| SAFETY PRECAUTIONS FOR INSTALLATION..... | 2 |
| INSTALLATION OF OVEN.....                | 2 |
| <b>SERVICE INFORMATION</b> .....         | 3 |
| NECESSARY TOOLS.....                     | 3 |
| DISASSEMBLY AND ADJUSTMENT.....          | 5 |
| <b>COMPONENTS TEST PROCEDURE</b> .....   | 6 |
| <b>TROUBLESHOOTING</b> .....             | 7 |
| <b>EXPLODE VIEW</b> .....                | 8 |
| <b>COMPONENTS LIST</b> .....             | 9 |

## Specification

---

### Technical Parameters

---

|   |   |
|---|---|
| Product Type  | 20inch  |
| Product Dimensions<br>(Height / width / depth) (mm) | 495*556*850                                       |
| Maximum temperature                                 | 250°C   |
| Function switch (quantity)                          | 6   |
| Grill number of layers                              | 4   |
| Nozzle hole diameter (mm)                           | $\phi$ 0.8/ $\phi$ 0.68/ $\phi$ 0.53/ $\phi$ 0.65 |
| Heating tube power (down) (W)                       | 2700  |

## Installation



Before Maintenance, please read the following instructions carefully!

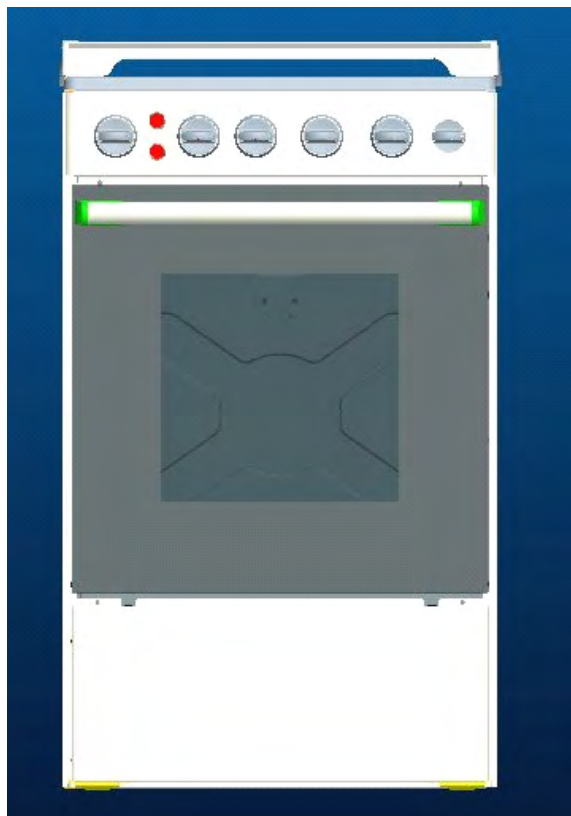


### Installation Warning

1. All the equipment around 50mm of the product should be able to have heat resistance above 75 ° C, otherwise, nearby apparatus may deform during the use of this product.
2. When removing packing materials, keep metal plates, packaging bags, foam, screws and other materials away from the reach of children to avoid potential threat. For example, children may swallow small parts or lead to asphyxiation when play packaging bags.

### Oven Installation

1. Please remove packaging first, and then install in reference to the below specified size. (Please dispose packaging materials properly)
2. If it is necessary to lift or move the oven, please open the oven door, touch the top and square holes on the back. Please do not directly use oven door handle to lift the oven.
3. The oven should not touch or get close to flammable, explosive, non-temperature items.
4. Floor for placing the oven should be smooth enough to ensure sufficient stability for the product.
5. Product dimensions (Height / width / depth) (mm) 495\*556\*850



## Maintenance Information

---

### Relevant Tools

#### Relevant tools list.

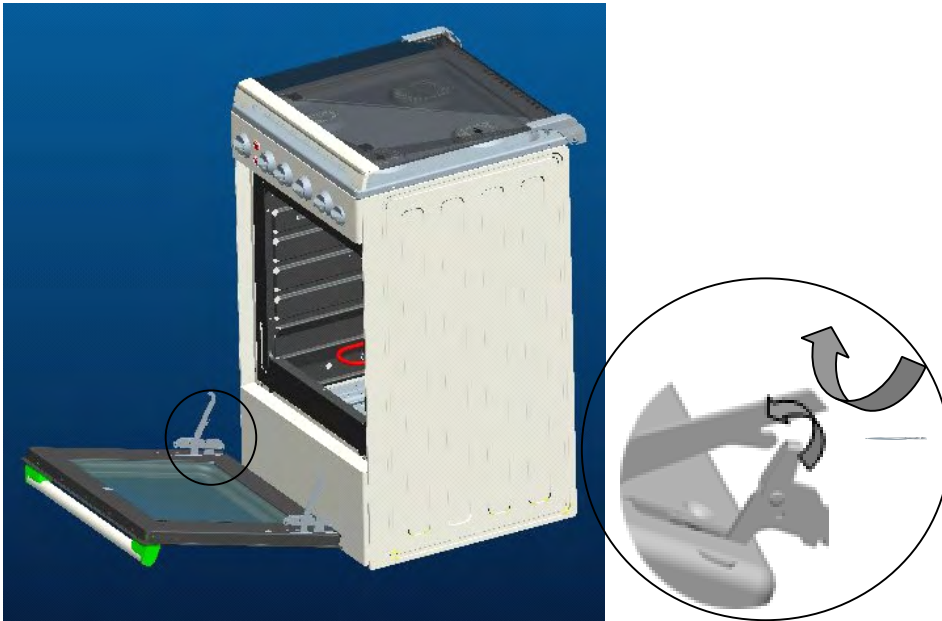
- Drill steel clamp (vise)
- Solder wire
- AC Voltage Meter
- Needle-nosed pliers
- Insulation tape
- Ohm meter
- Phillips screwdriver
- Sandpaper
- Electric iron
- DC Voltage Meter

### Disassemble and repair

---

#### A. The removal of door

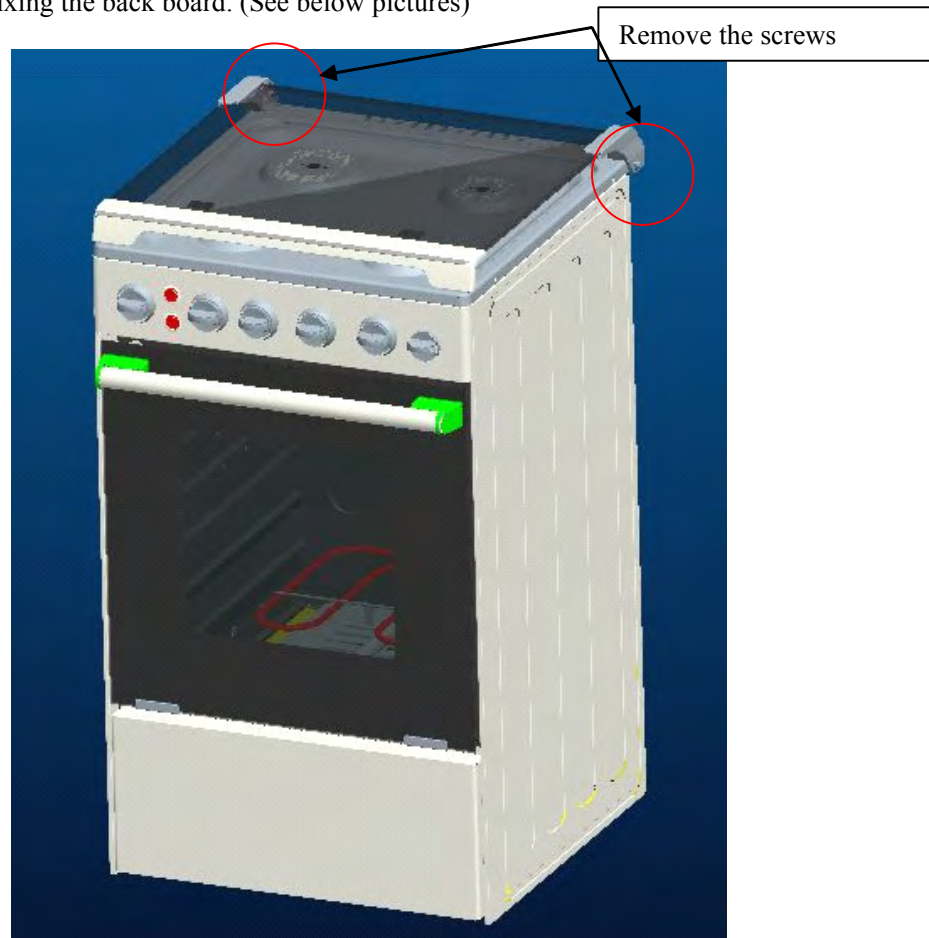
- 1) Open the oven door to the horizontal position.
- 2) Slide snaps of the left and right hinge to the maximum position. (See below pictures)
- 3) Close the door to 60 degrees position, grasp the door with both hands, pull together with the hinge. (See below pictures)



Warning: the door can not be pulled out forcibly to prevent broken glass in the removal process

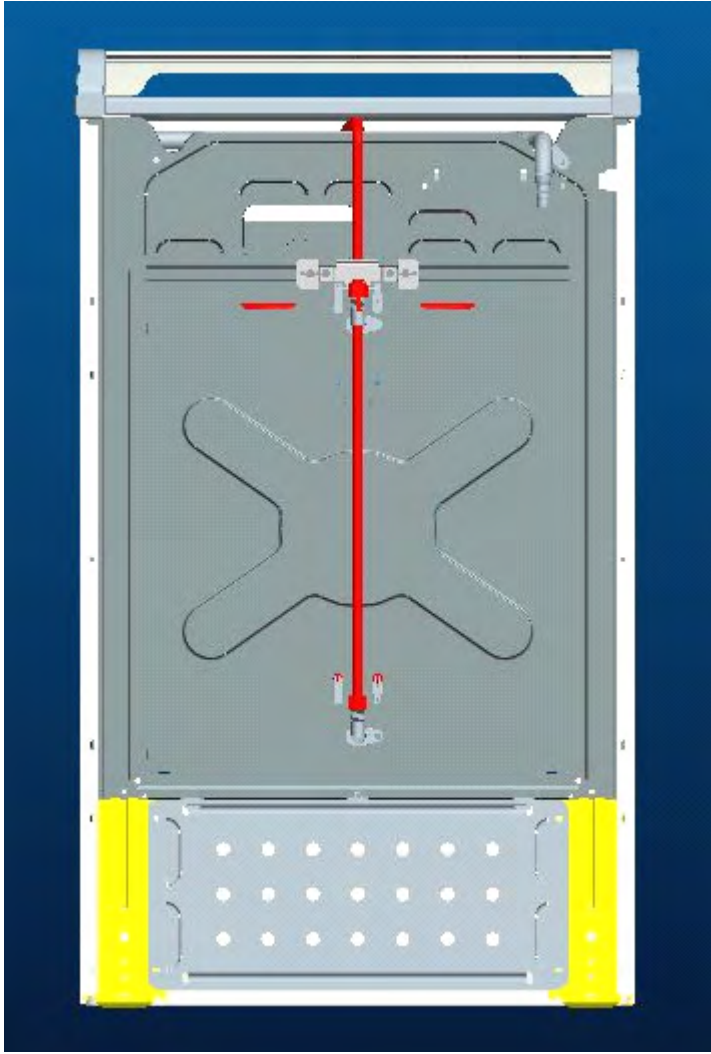
B. The removal of cooktop cover

- 1) Remove the screws for fixing the back board. (See below pictures)



C. Remove the right and left bracket of the cooktop

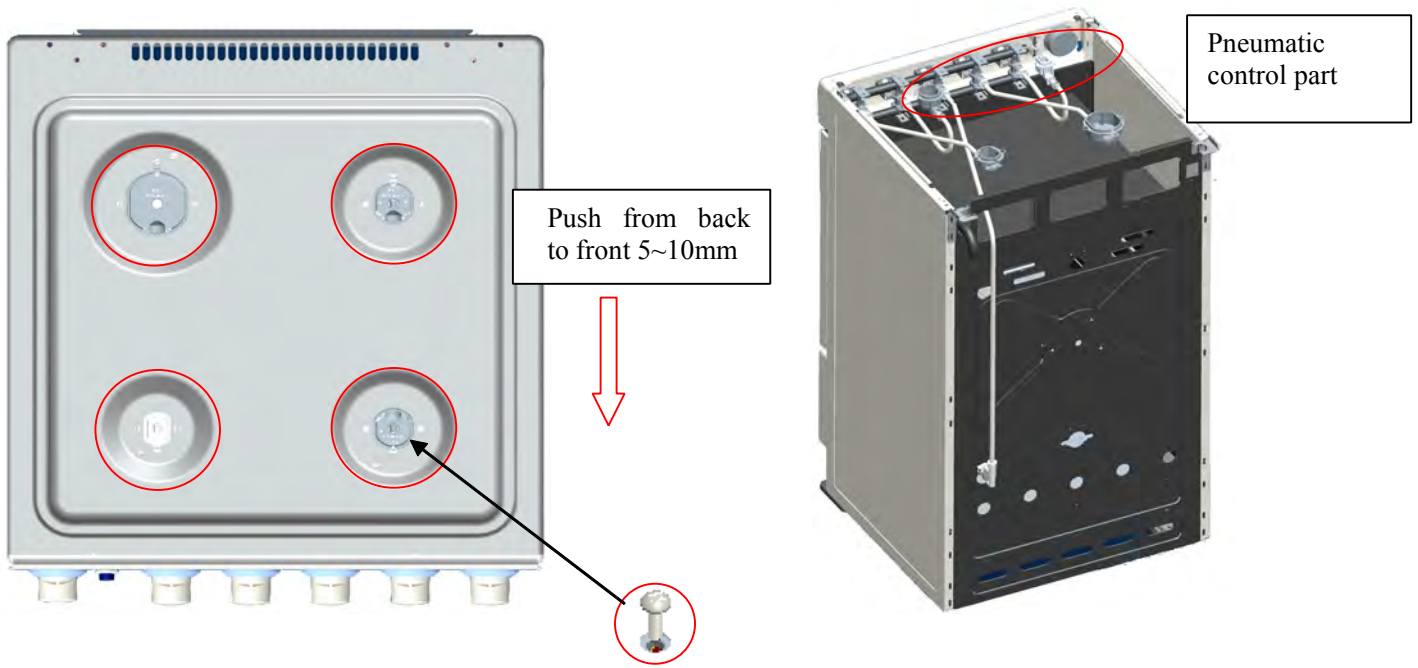
- 1) Turn off the gas source.
- 2) Remove the screws on supporting blocks of both sides of the cooktop cover. (See below pictures)



#### D. Remove of the stove board

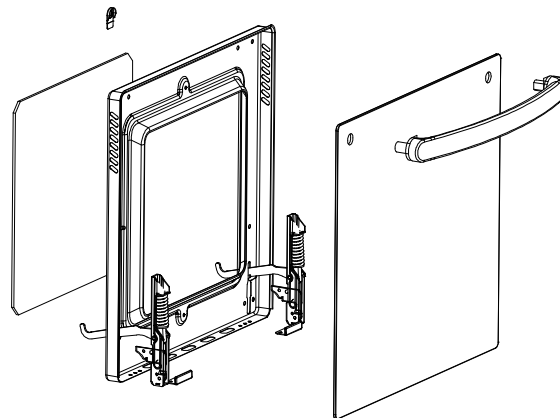
- 1) Turn off the gas supply, disconnect the power, remove the power line.
- 2) Remove back plate connection board
- 3) Remove the screws of the end of the cooking plate connection the cup (See below pictures)
- 4) Push forward 10-20mm from behind of the stove board by hand, then use the appropriate force to squeeze the side of the stove board, take down the stove board carefully(can't take down forcibly)
- 5) According to the maintenance circuit diagram of part of the power failure or gas source inspection and maintenance





#### E. Removal and Replacement of Glass Door

- 1) Remove the door and lie flat carefully.
- 2) Remove the screws for fixing supporting blocks at the bottom of door.
- 3) Remove the screws for fixing handle, remove the handle, seal and window glass outside the door carefully.
- 4) Remove the silica in the four corners of inside glass with a blade or other tools.( Glass with care)
- 5) Replace glass in the same specifications provided by manufactures.(Glass must be high temperature and toughened)



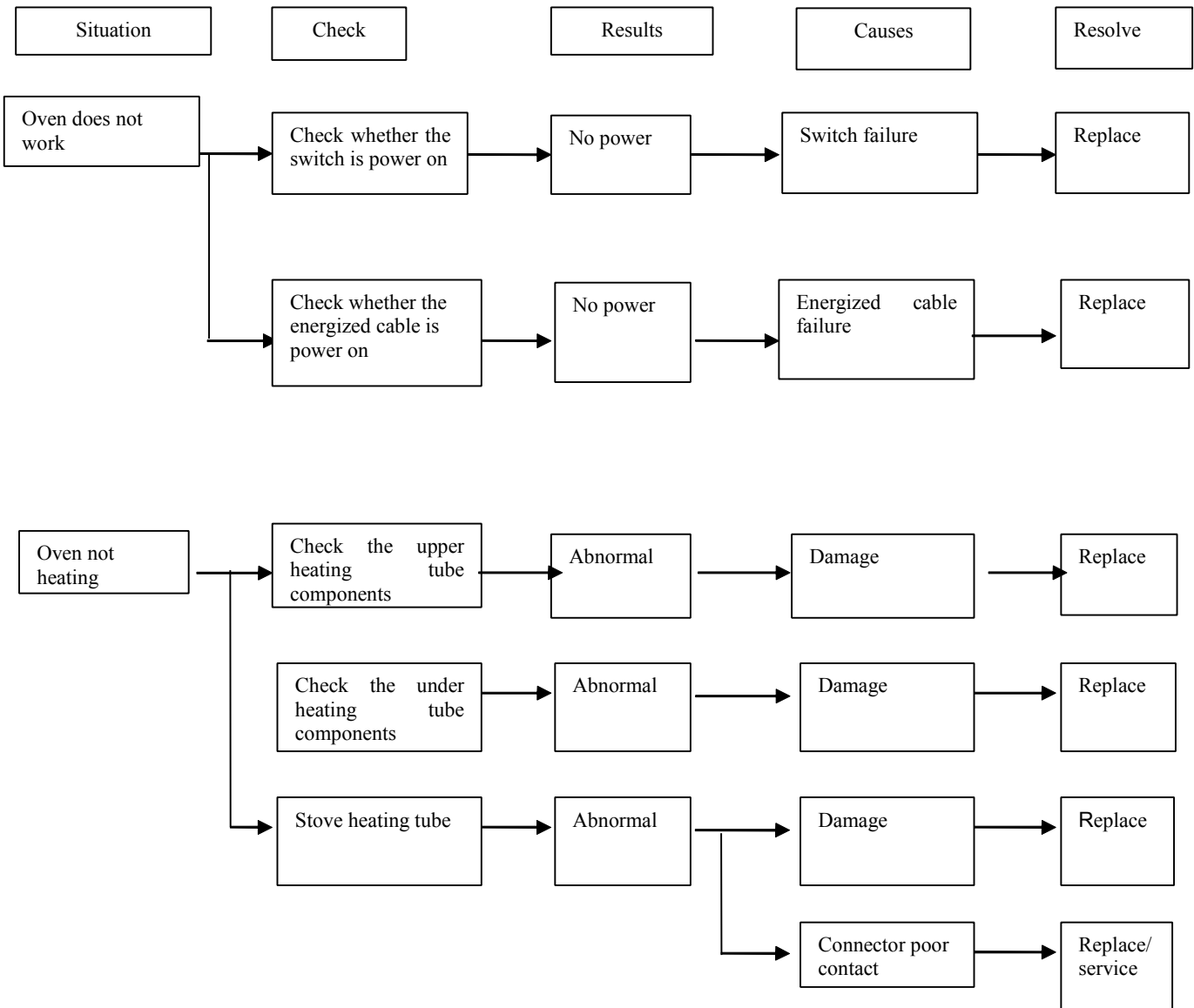
Relevant Test of Parts

| Parts      | Test program   | Results  |
|------------|--|--|
| Stove body | Test tightness<br>(use airtight instrument test: under 15kpa pressure) | Normal: less than 0.5ml/min,<br>Fault: $\infty$ or more than 0.5 |

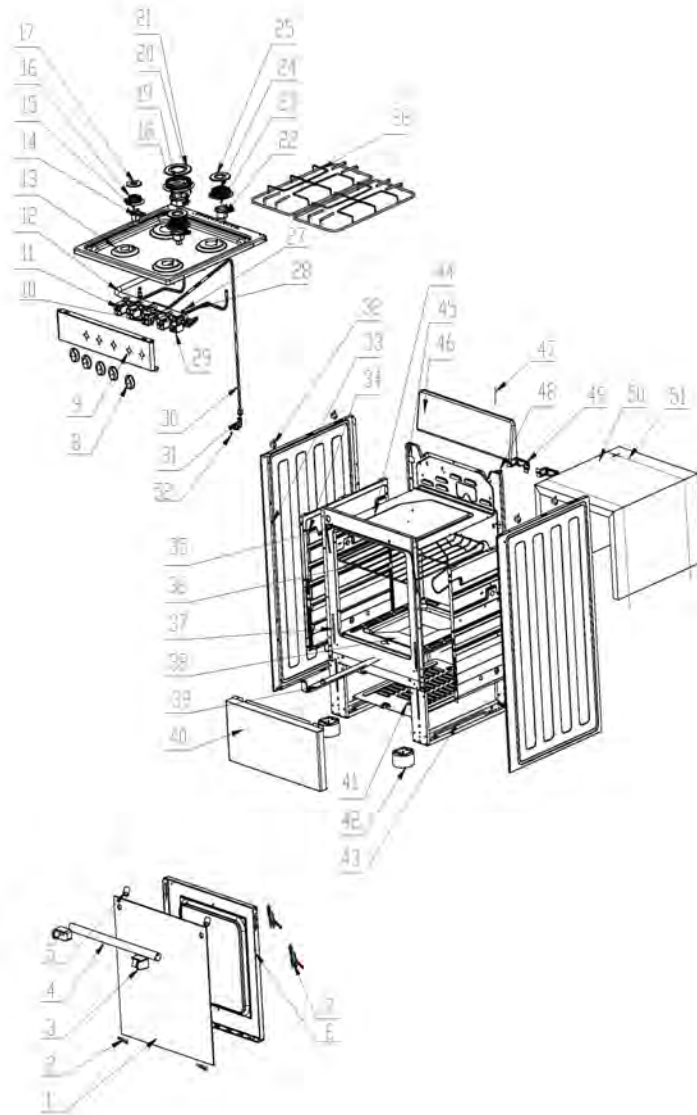
## Trouble shooting

When you receive customer complaints, what needs to do first is analyzing complaints carefully. If some of the following situation is suitable, please tell the customer how to use the oven properly. This will avoid unnecessary maintenance.

**Attention!**  
 1. Check grounding before trouble  
 2. Note that some high-voltage circuit



## Names and Icons of Parts



Parts Name

| Serial number | Name           | number |
|---------------|----------------|--------|
| 1             | Outer glass    | 1      |
| 2             | Door bracket   | 2      |
| 3             | Hand base      | 2      |
| 4             | handle         | 1      |
| 5             | Handle bracket | 2      |
| 6             | door           | 1      |

|    |                        |   |
|----|------------------------|---|
| 7  | hinge                  | 2 |
| 8  | knob                   | 5 |
| 9  | Control panel          | 1 |
| 10 | Valve 0.68             | 2 |
| 11 | Valve 0.5              | 2 |
| 12 | Main gas tube          | 1 |
| 13 | cooktop                | 1 |
| 14 | Burner cup 4           | 1 |
| 15 | Injector 0.53          | 1 |
| 16 | Burner 4               | 1 |
| 17 | Lid 4                  | 1 |
| 18 | Burner cup 2           | 1 |
| 19 | Burner 2               | 1 |
| 20 | Injector 0.8           | 2 |
| 21 | Lid 2                  | 1 |
| 22 | Burner cup 3           | 2 |
| 23 | Injector 0.68          | 2 |
| 24 | Burner 3               | 2 |
| 25 | Lid 3                  | 2 |
| 26 | grate                  | 2 |
| 27 | Gas tube front row     | 2 |
| 28 | Gas tube back row      | 2 |
| 29 | Valve 0.45             | 1 |
| 30 | Bottom burner gas tube | 1 |
| 31 | Injector base          | 1 |
| 32 | Cooktop bracket        | 4 |
| 33 | Side board             | 2 |
| 35 | Cavity seal            | 1 |
| 36 | Backing rack           | 1 |
| 37 | Front plate            | 1 |
| 38 | Baking tray            | 1 |
| 39 | Bottom tray            | 1 |
| 40 | Drawer panel           | 1 |
| 41 | Cavity bottom plate    | 3 |
| 42 | Food                   | 4 |
| 43 | Cavity bracket         | 2 |
| 44 | Cavity top plate       | 1 |
| 45 | Back plate             | 1 |
| 46 | Back guard             | 1 |

|    |                 |   |
|----|-----------------|---|
| 47 | Anti-fall chain | 1 |
| 48 | spring          | 1 |
| 49 | Motor bracket   | 2 |
| 50 | isolation       | 2 |
| 51 | Iron wire       | 2 |
| 52 | Injector 0.74   | 1 |