



Service Manual for chest freezer

PREMIUM MODEL

PFR40W/ PFR40SX

PFR55W/ PFR55SX/PFR55GX

PFR60W/ PFR70W

PFR86W/ PFR86SX/PFR86GX

PFR96W/PFR96SX

PFR130W/ PFR150W/PFR190W/PFR266W

PFR82G/ PFR102G/PFR122G

PFR120FX/ PFR152FX

Content Table

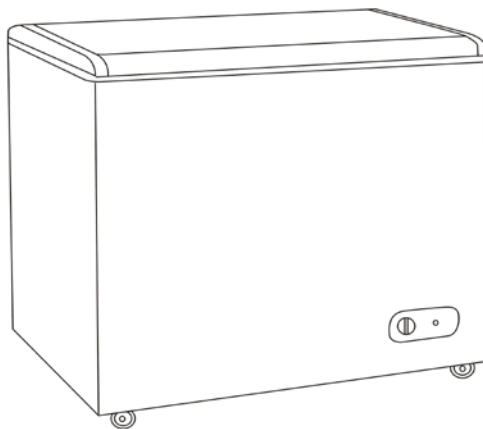
Main feature and product appearance-----	2
Unit Specification-----	3
Safety during maintenance or service -----	3
Electrical Diagram -----	4
Cooling System Diagram -----	5
Part Lists and explanation -----	5
Disassembling and replacing of the components -----	6
Check the breakdowns of the cooling system -----	7
Table for quick answer for the field problem -----	9
Note of the cooling system maintenance with R134a refrigerant -----	13
The performance testing requirement after service-----	14
Maintenance parts list -----	15

Main feature:

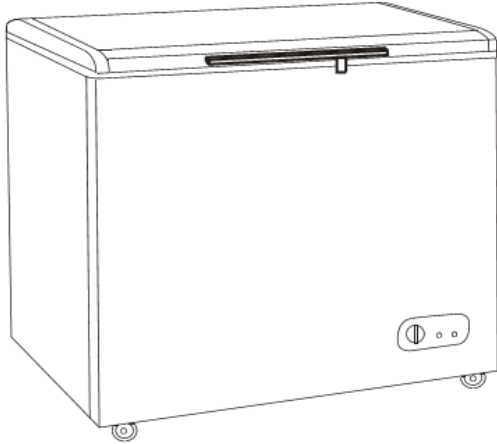
Model	Door	Gasket seal for the door	Hinge	Accessory	Structure
PFR40W/ PFR40SX PFR55W/ PFR55SX/PF R55GX PFR60W/ PFR70W PFR86W/ PFR86SX/PF R86GX PFR96W/PF R96SX PFR130W/ PFR150W/P FR190W/PF R266W PFR82G/ PFR102G/PF R122G PFR120FX/ PFR152FX	Integrated Foaming Door with painting sheet metal and simple ,beautifu l handle	Recessed door gasket seal, easy to be discharged and cleaned.	Plastic material, simple and practically	One basket inside	Front, Left and right side shell compose to whole “U” shape shell, with aluminum internal tank with cotton ginning, and unitary plastic linear mouth. It has inside hidden evaporator and condenser, and unitary foaming insulation.

Product appearance:

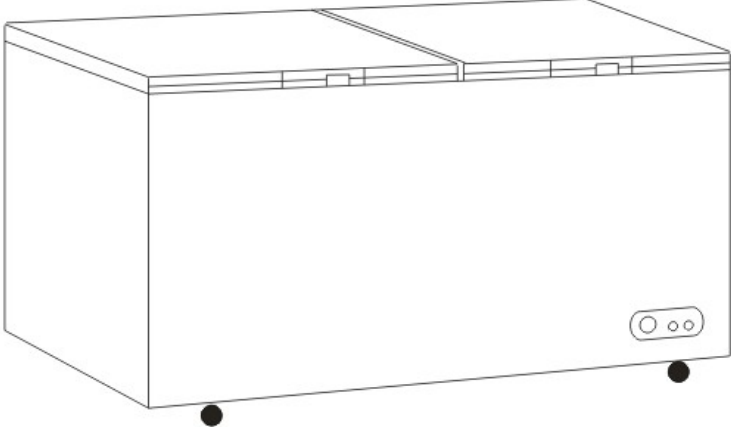
Shape one: [PFR40W/PFR40SX](#)



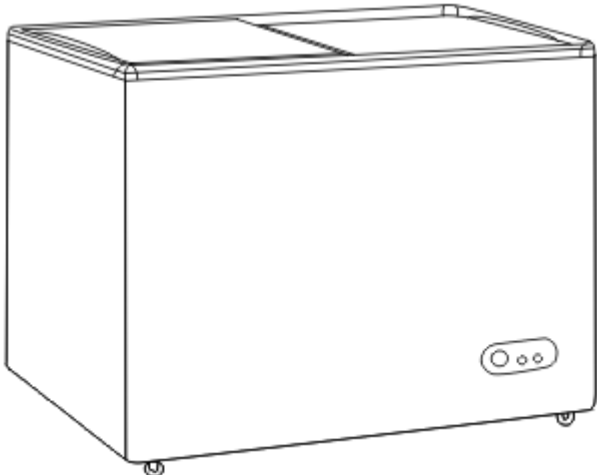
Shape Two: PFR55W/ PFR55SX/PFR60W/ PFR70W/PFR86W/ PFR86SX/PFR96W/PFR96SX



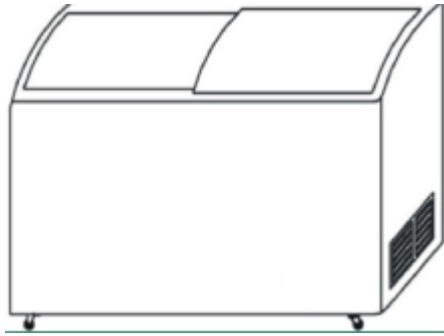
Shape Three: PFR130W/ PFR150W/PFR190W/PFR266W



Shape Four: PFR55GX/PFR86GX/ PFR120FX/ PFR152FX



Shape Five: PFR82G/ PFR102G/PFR122G



Unit Specification:

No.	Model	PFR40W/40SX	PFR55W/55SX	PFR55GX	PFR60W	PFR70W	PFR86W/86SX
1	Net Capacity (L)	102	138	142	155	189	205
2	Voltage (V)	115	115	115	115	115	115
3	Frequency (Hz)	60	60	60	60	60	60
4	Refrigerant	R134a	R134a	R134a	R134a	R134a	R134a
5	Refrigerant Amount (g)	90g	95g	100g	105g	105g	105g

No.	Model	PFR86GX	PFR96W/96SX	PFR130W	PFR150W	PFR190W	PFR266W
1	Net Capacity (L)	215	264	327	360	469	649
2	Voltage (V)	115	115	115	115	115	115
3	Frequency (Hz)	60	60	60	60	60	60
4	Refrigerant	R134a	R134a	R134a	R134a	R134a	R134a
5	Refrigerant Amount (g)	110g	145g	160g	175g	180g	220g

No.	Model	PFR82G	PFR102G	PFR122G	PFR120FX	PFR152FX	
1	Net Capacity (L)	208	268	328	302	408	
2	Voltage (V)	115	115	115	115	115	
3	Frequency (Hz)	60	60	60	60	60	
4	Refrigerant	R134a	R134a	R134a	R134a	R134a	
5	Refrigerant Amount (g)	160g	185g	195g	155g	180g	

Safety during maintenance or service:

In order to be safety during maintenance, must obey the following basic attention:

1. During service:

- Pay attention to the flame or ignition nearby, particually after welding using gas too, must turn off the flame first, then can do other maintenance work, because the refrigerant will produce the toxic air when it touch with flame, sparkle or capacitor.

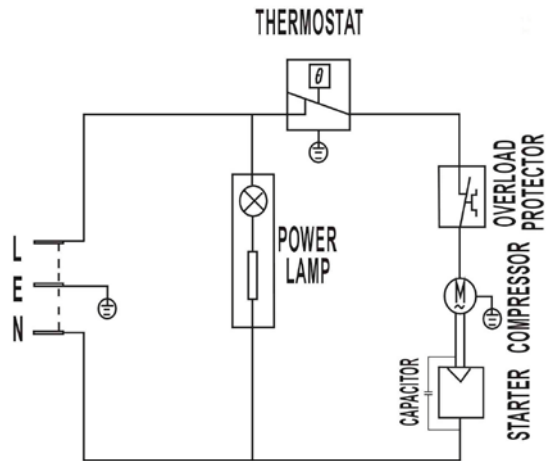
- Do not do the welding work in the airtight or bad air circulation room.
 - When discharging the refrigerant, must keep the room good air circulation condition.
 - When cutting the suction pipe or discharging pipe of the compressor, pay attention to the surplus refrigerant and internal pressure in cooling system pipe
2. Unplug the unit:
- When you are ready to proceed the maintenance, must first unplug the freezer first to ensure the safety.
3. Avoid electrical shock:
- Normal when proceeding the maintenance, must open the power supply first. But if you must check the field wiring or the component of the unit with power supply in, must be very carefully and don't touch the live parts. If you find out the wiring is aged, please replace it in time.
4. Correct use the components:
- If the component is damaged and need to be replaced, be sure to replace with the component with same model, do not use other models or other brand components, and not use the changed component.
5. Correct use the service tools:
- Ensure to use the appropriate service tool right. Otherwise it will cause bad electrical contact or loose fixing, and the incidence will happen.
6. Wiring connection:
- When re-connecting the cut wire, be sure to use soldering method or terminal connection, and then wrap the connection point with insulation tape, ensure the good connection.
7. Insulation resistance measure:
- After completing the service and assembly, must use the multi-meter to measure the insulation resistance, if it is greater than 1 million ohm, then you can plug on the unit.
8. Grounding test:
- After maintenance, use the multimeter to measure the grounding resistance to ensure the grounding resistance is less than 0.1 ohm.
9. Pay attention to the child or infant nearby:
- When maintenance, don't let the child or the infant nearby.

10. Cleaning:

- After service, do the necessary cleaning work and tell the customer the necessary precaution.

Electrical Diagram

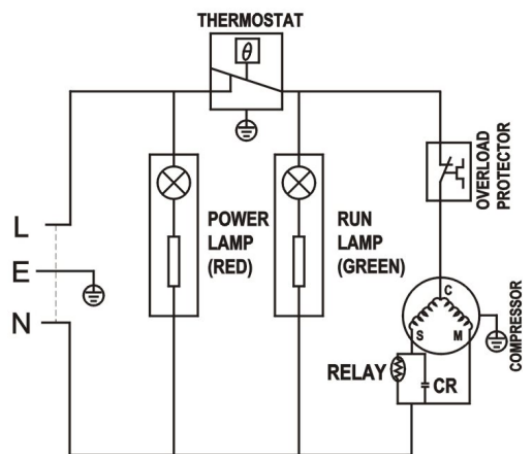
Electrical diagram for [PFR40W/40SX](#)



Electrical diagram for

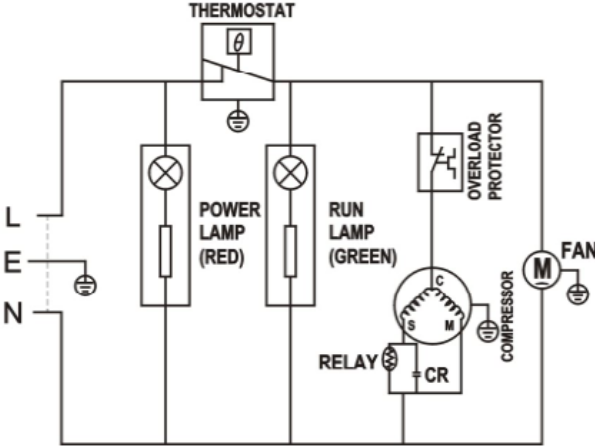
[PFR55W/PFR55SX/PFR60W/PFR70W/PFR86W/PFR86SX/PFR96W/PFR96SX](#)

[PFR55GX/PFR86GX](#)

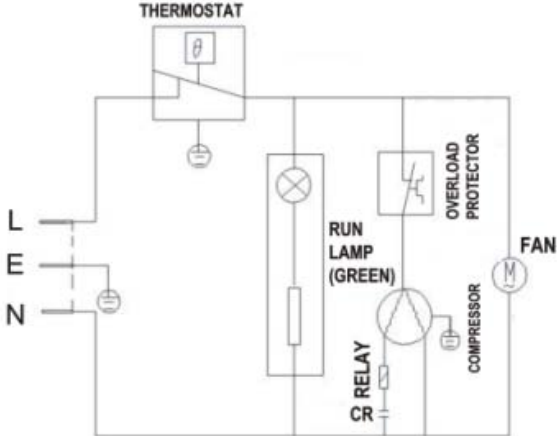


Electrical diagram for

PFR130W/ PFR150W/PFR190W/PFR266W/PFR120FX/PFR152FX

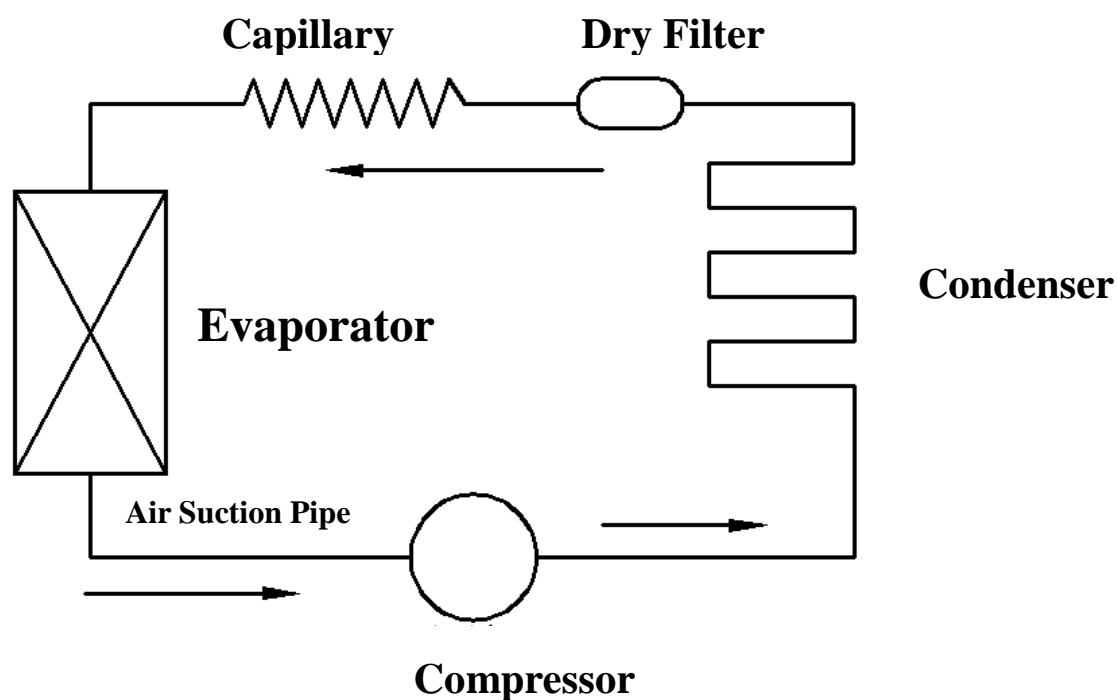


Electrical diagram for PFR82G/ PFR102G/PFR122G



Please note, maybe some units are without RUNNING CAPACITOR marked in red color in above diagram, according to the used compressor model.

Cooling System Diagram:



Note: Arrow direction means the flowing direction of the refrigerant.

Part Lists and explanation:

No.	Parts Name	PFR40W/ PFR40SX/PFR55W/ PFR55SX/ PFR60W/ PFR70W/PFR86W/ PFR86SX/ PFR96W/PFR96SX	PFR130W/ PFR150W/P FR266W	PFR190W	PFR55GX/PFR 86GX	PFR82G/ PFR102G/ PFR120FX/ PFR152FX	PFR122G
		Quantity	Quantity	Quantity	Quantity	Quantity	Quantity
1	Door	1	2	2	2	2	2
2	Hinge	2	4	4	/	/	/
3	Basket	1	1	2	2	3	4
4	Freezer Cabinet	1	1	1	1	1	1
5	Thermostat cover	1	1	1	1	1	1
6	Compressor base	1	1	1	1	1	1
7	Condensate Water Drain cap	1	1	1	1	1	1
8	Fixing feet	2	2	2	2	2	2

Disassembling and replacing of the components:

When replacing the components, must unplug the unit first, in order to be safety.

1. Replace the thermostat:

Unscrew the fixing screw of the thermostat box, remove the thermostat box, then remove the old thermostat, install the new thermostat with same model, and reinstall back the whole thermostat box with same fixing screw.

2. Replace the PTC starter and overload protector of the compressor:

Remove the clamp of the connecting terminal cover of the compressor and the terminal cover, toward the vertical direction, remove the broken-down starter or overload protector, install back the new starter or overload protector, then fix back the terminal box cover and its clamp.

3. Replace the door gasket seal:

Remove the old door gasket seal from the groove of the door linear, then install the new gasket seal into the four sides of the groove, install it oven as possible, open and close the door several times, ensure that the door is sealed.

4. Replace the compressor:

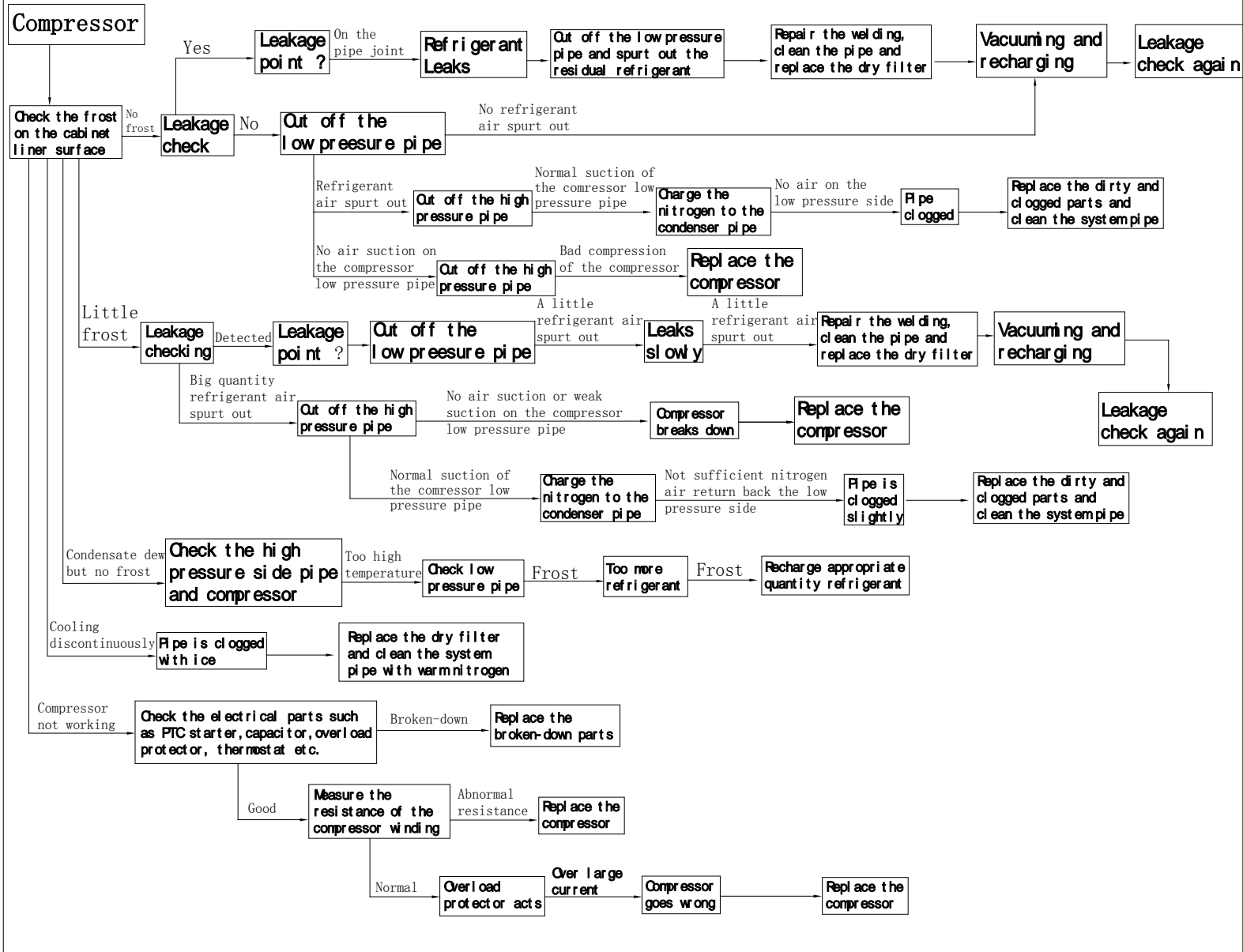
(1)、First cut the welding point of the technical pipe of the compressor to discharge the refrigerant inside the cooling system, then weld the old point to disconnect the pipe to the compressor, remove the compressor to replace with a new one, pay attention to replace with a new refrigerant dry filter.

(2)、Install the new compressor, weld the high pressure side and low pressure side pipe to the compressor, check the system leakage, after completing vacuum the cooling system, charge the correct amount refrigerant into the system from low pressure side pipe. After this, run the unit to check the cooling performance is ok or not, then weld and close the technical pipe.

Check the breakdowns of the cooling system:

Following the next illustration to check the problem:

Problem and check point Cause Solution



Check the frost on the cabinet liner surface, if find like following:

1) No frost, then do the leakage detecting.

A). If the leakage point is found, then first cut off the low pressure pipe to discharge the left refrigerant in the system, then clean the pipe, replace with a new dry filter and welding again, again recharge the refrigerant and do the leakage detecting.

B). If the leakage can not be found, cut off the low pressure pipe, if there is no refrigerant omitting, then recharge the refrigerant and do the leakage detecting again; If there is refrigerant omitting, cut off the high pressure pipe(means that compressor suction is normal), charge the condenser pipe with pressurized nitrogen, if no air at low pressure side, means the pipe is blocked, then replace the blocked parts and clean the system pipe; If no air suction at compressor low pressure side, cut off the high pressure pipe, means air compression of the compressor is not good, please replace the compressor.

2). A little frost on the surface, also do the leakage detecting first.

A) If the leakage point is confirmed, then cut off the low pressure pipe, if a little refrigerant air spurt out, means that the system leaks slowly on the leakage point, you should repair the welding of cut pipe and the leakage point and clean the system pipe by the high pressure nitrogen, replace the dry filter, after completion these work, re-vacuum and recharge the refrigerant, at last do the leakage detecting again.

B). If big quantity refrigerant spurt out, cut off the high pressure pipe to check the suction of the compressor low pressure pipe is normal or not: if no suction or weak suction, it means not good compression and need to replace the compressor; if normal suction, then charge the clean and warm nitrogen to the condenser pipe, if you find the returned nitrogen of the low pressure side is not sufficient, it means that the system pipe is clogged lightly, please replace the clogged parts and clean the pipe.

3). No frost, but have condensate water on the surface on the cabinet liner, check the temperature of the high pressure side pipe and the compressor, you will find it is too high temperature and check the low pressure pipe with frost, if like this, means too more refrigerant in the system, please recharge with appropriate quantity refrigerant once more.

4) The unit works discontinuously, maybe the system is clogged with ice, please replace the dry filter and clean the system with clean and warm nitrogen.

5) Compressor doesn't run.

Please check the electrical parts, such as PTC starter, capacitor, overload protector, thermostat etc., if you find the parts go wrong, then replace a new one with same type and specification. If all of these parts are good, please measure the resistance of the compressor winding, if the resistance is abnormal, must replace the compressor; otherwise check the overload protector act or not, means the over large current and compressor goes wrong, also replace the compressor.

Table for quick answer for the field problem:

Item	Phenomenon	Check point and the detail		Caused by	
(A). Not cool completely	Power indicator is not on and compressor doesn't run	Check that other appliances are working or not.	No power supply in neighbor house	Field power supply is cut off.	
			All of other appliances in house don't work	Main fuse is cut off.	
			Only this freezer doesn't work	Power supply outlet has problem	
	Compressor doesn't run, but power indicator is on.	Check the circuit wiring	If the cooling thermostat is shorted of the circuit or turn the thermostat to the coldest point, the compressor can run.		Thermostat is breakdown
			There is sound when turning the knob of the thermostat.		The knob is broken or is not installed properly.
			Thermal protector may be overloaded.	Check it is cutoff or not by the multi-meter.	If it is cutoff, means it is broken down.
			PTC Starter	Check it is cutoff or not by the multi-meter.	If it is open, means it is broken down.
			Check it have broken point or not in the circuit wiring according the electrical diagram		Maybe the lead is broken or the connection point is loosing
			Measure the winding resistance of the compressor		The winding is broken or burnt
			Compressor problem		Measure the insulation resistance by meg-ohm meter, if the insulation resistance < 1 MΩ, the unit can't be used for long time.

		Power supply voltage	The voltage is too low. (Maybe lower than 175V)	Compressor can't start because of under voltage.
	Compressor can run	Cooling system	There is no sound of refrigerant flowing in cooling system and it leaves oil on the welding point	Leakage of refrigerant
			There is no sound of refrigerant flowing in cooling system and no oil on the welding point.	Inside leakage of cooling pipe or the pipe is blocked.
		Compressor	No air is discharged out on the discharging mouth of the compressor.	Compressor valve is breakdown
			There is abnormal sound inside compressor	Compressor is breakdown

(B)、 Compressor runs but cooling effect is not good.	Incorrect using	Check the thickness of frost(>5mm?)	The frost is too thick
		Thermostat is set at higher temperature (lower digit)?	Set it to lower temperature
		There is too more food in cooling compartment, too crowded, ensure good air circulation inside freezer	Too more food

		Is there high temperature food, like hot soup etc., inside freezer?	Hot temperature food let the temperature inside freezer cooling compartment rise.
		Too more times of opening of the door	It will affect the cooling effect
	Leakage of cooling air	Check the door gasket sealing strip is broken or deforming	Broken of the door gasket sealing strip
		Check the door is warded off by the food and the door is closed tightly or not.	The door is not closed tightly
	The unit is not placed at good position	The freezer is inside direct sunshine	The unit can not dissipate the heat because sunshine
		The back of the unit is too close to the wall	Too close will affect the heat dissipation
		There is heat source near the unit.	Over-hot environment will affect the heat dissipation
(C)、 Temperature is too low	Abnormal action of thermostat	Check the sensor head of the thermostat is loosing or not	Incorrect temperature sensing of thermostat
		Thermostat is not at good quality	Thermostat is breakdown
(D)、 Water condensate	There is condensed water on the closure	The environment is too wet	The relative humidity is too high
(E)、 Leakage of electricity	Electrical shock sense on the enclosure	Confirm the insulation resistance is lower than 1 MΩ by the meg ohm meter	Insulation is not good
		Check the electrical parts of the unit are wet	Insulation is not good
		Check the electrical parts touch with the metal enclosure or not, and the grounding lead is not grounded properly	Electricity leakage
		Check it have static electricity influence	Static electricity influence
(F)、 Too noisy	There is sound inside compressor	Check the compressor has abnormal sound or not.	Compressor abnormal

and vibration	There is vibration sound	Check the pipe is touched each other or not	Pipe touching produce resonance
		Check the installation ground is flat and the feet is adjusted at proper position or not	The unit is not placed evenly

Note of the cooling system maintenance with R134a refrigerant:

The requirement of the cooling system parts:

Because refrigerant R134a and its lubricating oil grease is of strong water absorbability and oxidation ability, and will cause catalysis reactivity with chloride to produce impurity to be silt. So during service process, you should pay more attentions to the water quantity, oxide quantity, chloride quantity, oil quantity and impurity quantity in the cooling system, and control it more strictly.

Left water quantity control:

1) If the cooling system parts, like condenser, evaporator, compressor, or the dry filter etc., need to be replaced, the replaced parts should be stored charging with dry nitrogen with pressure 0.2~0.3Mpa, and if these parts have leakage of nitrogen, they must be dried in the high temperature chamber and be taken out of the water before using.

2) The molecular dry desiccant inside dry filter must be controlled strictly, guaranteed that the left water quantity must be lower than 1.5WT%. And normally, after the dry filter is opened from vacuum package, must be welded to the pipe system within 5 minutes. If at wet condition (relative humidity>50%), must take measure to be protected from humidity, and the dry filter must be connected to the system pipe at once after removing from package, so as to produce the sealing system.

The requirement of the service equipment:

①No need recycling equipment, except charging machine, if the equipment is special for R134a refrigerant system, must mark it clearly to avoid use each other. (except welding machine, pliers, electronic balance)

②The vacuum machine and charging machine are special used for R134a refrigerant system.

Service Procedure:

Special requirement during service process:

(a). Duration of from opening of compressor to vacuuming process must be less than 10 minutes, and for other parts not more than 12 minutes.

(b). Vacuuming duration should not loess than 20 minutes.

(c). If refrigerant leakage happens, it need to replace the compressor. Before welding, dry the cooling system by the nitrogen air.

(d). If the dust blockage happens in cooling system pipe, if can be blow out by the nitrogen, don't need to replace the compressor, otherwise the cabinet is no useful

(and the evaporator is no useful).

- (e). If ice blockage happens in the system pipe, must replace the compressor.
- f. Change the dry filter only if the system is opened.

Main point of service:

- ①The replaced compressor must return back to the compressor manufacturer to be treated.
- ②The compressor can't be tested through direct absorbing atmosphere, it will damage the compressor.
- ③If the system pipe is opened for a long time or leakage happens, you can dry the system by nitrogen during service.
- ④All of the welding material must be protected from wet condition. And ensure to use a little as enough as possible.
- ⑤Check the compressor is pressurized or not when opening.
- ⑦When storing the R134a refrigerant, must keep it sealed and not touch with atmosphere directly.

The performance testing requirement after service:

After completing the service, normally need to be done test running for 1-2days. When proved to be safely and good cooling performance, then move to the customer or user. During test running, we suggest that you can do following item:

1、 Insulation and safety:

Before plugging in, use the DC 500 meg-ohm meter to measure the insulation resistance between the live parts and dead metal enclosure, ensure the result is not lower than 1 meg-ohm.

2、 Starting capability:

The compressor can start smoothly, and can start or stop normally. If the unit can't start or stop normally, must find the root cause and delete the cause, then you can plugging it in to let it run.

3、 Cooling performance:

After running for 24 hours, check that the frost on the surface of the cabinet linear is oven or not, and there is no frost on the suction pipe.

4、 Electrical structure and safety:

After service, check all of the electrical parts, ensure the connection terminal of the electrical parts don't loose and the grounding wire is ok.

5、 Leakage checking:

After running for 24 hours, check one by one of welding point by using halogen leakage detecting device or suds. If leakage happens again, then should service again.

Maintenance parts list:

No.	Parts name	PCS/unit	Note
1	Compressor	1	
2	Thermal protector of compressor	1	
3	PTC starter	1	
4	Feet of compressor	4	
5	Refrigerant dry filter	1	
6	Thermostat	1	
7	Power cord assembly	1	
8	Adjustable feet	1	
9	Door gasket sealing strip	1	
9	Running indicator	1	Green color
10	Power indicator	1	Red color