

Premium

Arrocera
1.8 Lt

Rice Cooker
1.8 Lt



Model: PRC1835

Premium

Manual de uso y cuidado
Precauciones importantes

Este producto es para uso domestico únicamente.

This product is for domestic use only

Use & Care Manual
Important Safeguards

MEDIDAS DE SEGURIDAD IMPORTANTE

Cuando se utilicen equipos eléctricos, deben observarse siempre medidas de seguridad básicas, incluidas las siguientes:

1. Lea todas las instrucciones.
2. No toque las partes calientes. Use guantes o tenazas.
3. Para protegerse de choques eléctricos, no sumerja el cable de alimentación, el tomacorriente o la cazuela exterior en agua u otro líquido.
4. Nunca eche líquido en la cazuela exterior, solamente hagálo en el recipiente interior.
5. Levante y abra la tapa con cuidado para evitar quemaduras y dejar que el agua gotee dentro de la arrocera.
6. Nunca conecte a la corriente la arrocera hasta que haya colocado el recipiente interno en la cazuela externa.
7. Desconecte el tomacorriente cuando haya terminado de usar el equipo.
8. Debe tomar extremas precauciones cuando mueva un utensilio que contenga comida o líquidos calientes.
9. Es preciso mantener una estricta supervisión cuando se utilice cualquier utensilio cerca de los niños.
10. El uso de accesorios no recomendados por el fabricante puede provocar daños.
11. No lo use a la intemperie.
12. No permita que el cable cuelgue de la mesa o el estante, así como que entre en contacto con superficies calientes.
13. No utilice este equipo sino para fines domésticos.
14. NO lo coloque cerca de parrillas eléctrica o de gas calientes, o en un horno caliente.
15. Primero conecte el cable a la cazuela y después a la pared. Para desconectarla, suba la palanca a "ON/WARM", entonces saque el tomacorriente de la pared.
16. No utilice la cazuela si el cable eléctrico o el tomacorriente están dañados, así como cuando haya comprobado que el equipo se ha dañado o no funciona como es debido. Ponga el equipo en manos de un técnico para examinarlo y repararlo.

Features of Your Rice Cooker

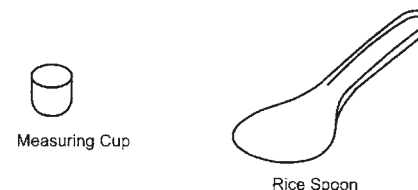
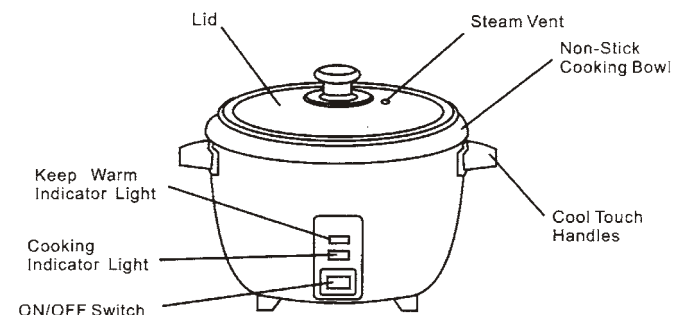


TABLE OF PROPORTIONS

| Quantity of Rice (Measured by Measuring Cup) | Water in the Pot (Including Rice) |
|---|--------------------------------------|
| 4CUPS | Up to 0.8 level line |
| 6CUPS | Up to 1.2 level line |
| 10CUPS | Up to 1.8 level line |

Note: Amount of water may vary according to individual taste of preference.

IMPORTANT SAFEGUARDS

When using electrical appliances, basic safety precautions should always be followed including the following:

1. Read all instructions carefully.
2. Do not touch hot surfaces. Using potholders when removing cover or handling hot containers.
3. To protect against electrical shock, do not immerse cord, plug or base unit (heating plate) in water or other liquid.
4. Close supervision is necessary when appliance is used by or near children.
5. Unplug from outlet when not in use and before cleaning. Unplug before putting on or taking off parts, and allow cooling before cleaning.
6. Do not operate any appliance with a damaged cord or plug or after the appliance malfunctions or has been damaged in any manner. Return appliance to the nearest authorized service facility for examination, repair or adjustment.
7. The use of accessory attachments not recommended by the appliance manufacturer may cause injuries.
8. Do not use outdoors.
9. Do not let cord hang over the edge of table or counter or touch hot surfaces.
10. Do not place on or near hot gas or electric burner or in a heated oven.
11. **Extreme caution must be used when removing an appliance containing hot oil or other hot liquids.**
12. Do not use appliance for other than its intended use.
13. Do not use steel wool or any metallic scouring pad to clean the electrical pin terminals on either the appliance or cord set.
14. To reduce the risk of electrical shock, cook only in the removable container (inner pot). Do not pour liquid into outer pan.

CUIDADO Y LIMPIEZA

Cocine y después lávelo con agua enjabonada, enjuáguelo y séquelo bien. El vaporizador es fácil de limpiar lavándolo con agua caliente enjabonada. No lave ninguno de los dos en una máquina lavaplatos.

Otras sugerencias para su arrocera:

- Tenga cuidado de no escachar el recipiente interior, especialmente el fondo. Para que funcione correctamente y obtenga los mejores resultados al cocinar, el recipiente interior tiene que acoplar perfectamente en la parte de arriba del termostato.
- No deje caer arroz u otras partículas de alimentos dentro de la cazuela pues obstruiría un adecuado contacto del termostato con el fondo del recipiente interno.
- Use el cucharón de plástico u otro de madera para remover los alimentos del fondo del recipiente. No utilice, para tal fin, utensilios metálicos pues dañaría la superficie antiadherente del recipiente.
- No use nunca limpiadores abrasivos o paños abrasivos porque pueden dañar el equipo.
- Nunca vierta líquido en la cazuela exterior.
- Para limpiar la cazuela exterior, desconecte primero la arrocera de la red eléctrica y pásele un trapo o esponja húmedos.

TIPOS DE ARROZ

Arroz Integral - Contiene más vitamina B compleja, hierro y calcio y tarda más en cocinarse (alrededor de 50 minutos) que el arroz blanco.

Arroz blanco - Incluye varios tipos de arroz blanco, muchos de los cuales pueden prepararse en su olla arrocera.

Arroz de grano largo - Con menos fécula que el de grano corto, por lo que los granos se separan más que en el caso del arroz de grano corto.

Arroz de grano corto - Más húmedo y tierno que el arroz de grano largo, tiene una textura suave y sabor a fécula.

El arroz blanco toma entre 20-25 minutos para cocinarse (el arroz integral aproximadamente 50 minutos). Una vez cocinado, la olla arrocera automáticamente pasa a modalidad de calentamiento y se enciende la luz color ámbar "ON/WARM". Deje calentando el arroz por espacio de 10 a 15 minutos para garantizar que crezca todo lo posible. Ud. Puede mantener el arroz calentando durante varias horas sin que se afecte su sabor. No quite la tapa hasta que vaya a servirlo. El recipiente interno estará muy caliente después de haber cocinado o calentado el arroz. Utilice una tenaza para olla cuando lo vaya a manipular.

SAVE THESE INSTRUCTIONS THIS APPLIANCE IS FOR HOUSEHOLD USE ONLY

A short power-supply cord is provided to reduce the hazards resulting from entanglement or tripping over a longer cord. An extension cord may be used with care; however, **its marked electrical rating should be at least as great as the electrical rating of this appliance.** The extension cord should not drape over the counter or tabletop, where it can be pulled on by children or tripped over.

POLARIZED PLUG (FOR 120 VOLTS)

This appliance has a polarized plug (one blade is wider than the other). To reduce the risk of electric shock, this plug is intended to fit into a polarized outlet only one way.

If the plug does not fit fully into the outlet, reverse the plug. If it still does not fit, contact a qualified electrician. Do not attempt to modify the plug in any way.

An authorized service representative should perform servicing.

ADDITIONAL IMPORTANT SAFEGUARDS

1. **CAUTION: This appliance generates heat and escaping steam during use. Proper precautions must be taken to prevent the risk of burns, fires, or other damage to persons or property.**
2. All users of this appliance must read and understand this Owner's Manual before operating or cleaning this appliance.
3. The cord of this appliance should be plugged into a 120V AC electrical outlet only.
4. When using this appliance, provide adequate air space above and on all sides for air circulation. Do not allow this appliance to touch curtains, wall coverings, clothing, dish towels or other flammable materials during use.
5. Do not leave this appliance unattended during use.
6. This appliance generates steam. Do not operate uncovered.

7. If this appliance begins to malfunction during use, immediately unplug the cord. Do not use or attempt to repair the malfunctioning appliance! Do not use inner pot if cracked or chipped.
8. **THIS APPLIANCE IS FOR HOUSEHOLD USE ONLY.**
9. Unplug the Automatic Rice Cooker when not in use.
10. Do not use the "WARM" setting to re-heat cool rice or other foods.
11. Use the Automatic Rice Cooker on a hard, flat surface. Do not place it near a flame or heat or on a soft surface (such as carpet). Avoid placing it where it may tip over during use. Dropping the Automatic Rice Cooker could cause it to malfunction.
12. Avoid electrical shock by unplugging the Automatic Rice Cooker before washing or adding water.
13. To avoid burns, stay clear of the steam vent during cooking. Also, wait for the Automatic Rice Cooker to cool down completely before touching or cleaning the Glass Lid, Inner Pot or Heating plate.

INSTRUCTION FOR USE

COOKING RICE

With the Automatic Rice Cooker, you can use any kind of rice.

1. Measure the amount of raw rice that you would like to cook. A 168ml (1 cup) Measuring Cup is included with your cooker. Filling the cup with rice makes approximately 2-1/2 cups of rice cooked

NOTE: Make sure that the rice is leveled when the cup is filled. The Rice Cooker has the capacity for 10 measuring cups of dry rice.

2. For best results...

Pour desired amount of rice into a separate container. Wash and rinse the rice until the rinse water is clear.

3. Take the Inner Pot out of the Rice Cooker.

Place the washed rice into the inner pot and add approximate amount of water. (If you are making 10 measuring cups of dry rice, add water to the "10" mark inside of the Inner Pot).

¡IMPORTANTE ! LEA ESTO ANTES DE USAR LA ARROCERA POR PRIMERA VEZ

- Lea todas las instrucciones.
- Lave el recipiente interior, el vaporizador, la taza de medida y el cucharón de arroz en agua enjabonada tibia. Enjuáguelo todo bien.
- Nunca sumerja la cazuela exterior en agua.
- Nunca eche líquido en la cazuela exterior, sino en el recipiente interno.
- Nunca trate de forzar la palanca para colocarla en la posición "Cook" (Cocinar), después de haberla colocado en la posición "On/Warm" (Encendido/Caliente)
- Nunca conecte la arrocera a la red eléctrica sin que el recipiente interno esté colocado dentro de la cazuela.
- Siempre tenga líquido en el recipiente interno o esté preparado para añadir aceite, mantequilla o margarina en dicho recipiente cuando conecte la arrocera a la red eléctrica.
- Nunca lave ninguna parte removible de la cazuela en la máquina de lavar platos.
- Conserve estas instrucciones y consúltela cuando sea necesario.

CONTROLES Y ACCESORIOS DE SU ARROCERA PREMIUM

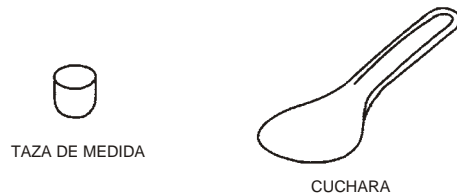
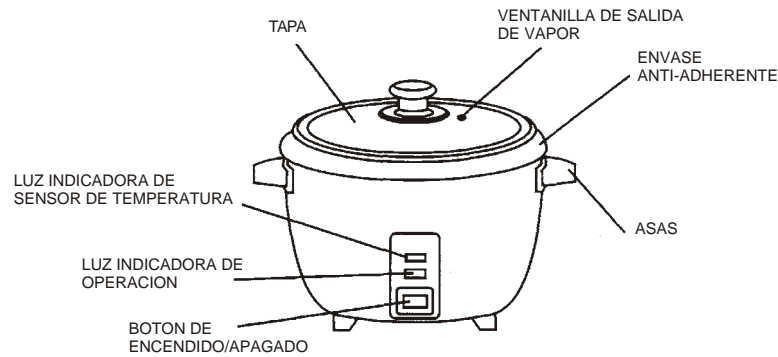


TABLA DE PROPORCIONES

| CANTIDAD DE ARROZ | AGUA EN LA OLLA |
|-------------------|---------------------|
| MEDIDA | INCLUYENDO EL ARROZ |
| 4TAZAS | HASTA EL NIVEL 0.8 |
| 6TAZAS | HASTA EL NIVEL 1.2 |
| 10TAZAS | HASTA EL NIVEL 1.8 |

Nota: La cantidad de agua puede variar según la preferencia individual.

4. Replace the Inner Pot back into the Automatic Rice Cooker.

Rotate it slightly to make sure that it is well sealed on the Heating Plate.

NOTE: Make sure to always wipe down the outer surface of the Inner Pot. If the outside of the inner pot is wet when placed into the cooker, this may cause a cracking noise while the unit heats up. Keep the outer surface dry to prevent damage to the inner workings of the appliance.

5. Place the Glass Lid on top of the Rice Cooker.

CAUTION: Do not operate the Automatic Rice Cooker without closing the lid. Steam is generated during use.

6. **Plug the Automatic Rice Cooker into a 120V AC electrical outlet.** Press the Power Switch and the "COOK" light will illuminate. The cooking process begins as soon as the light illuminates.

7. When the Automatic Rice Cooker is done cooking, the "WARM" light will illuminate. For best results, let the cooked rice sit for 15 minutes before stirring or removing. This allows the steam to finish the cooking process.

8. Mix the rice.

After rice has steamed for 15 minutes, carefully open the Lid, as steam will escape. Use the paddle provided, or any other non-metal long handle utensil to scoop and mix the rice as well.

9. Keep Warm.

When the cooking is completed, the Automatic Rice Cooker will automatically go into the "WARM" mode. At this time the "WARM" light will illuminate.

NOTE: Do not warm rice for more than 12 hours. It is recommended to consume the rice within a twelve-hour period.

10. If the "WARM" mode is not desired, simply unplug the Automatic Rice Cooker from the wall. Do not touch the Base Unit or Inner Pot until they have cooled completely.
11. Allow the Automatic Rice Cooker to cool completely before cleaning.
12. When the Automatic Rice Cooker is not being used, please keep it unplugged.

USER MAINTENANCE INSTRUCTIONS

This appliance should be cleaned after every use.

1. Unplug the appliance from the wall outlet when appliance is not in use and before cleaning. **Never immerse heating body in water.** Allow the rice cooker to cool before cleaning.
2. DO NOT use abrasive cleaners or scouring pads or steel wool to clean this appliance.
3. To clean the Base Unit, lightly wipe the exterior with a damp cloth or sponge. **DO NOT IMMERSE THE BASE UNIT IN WATER OR ANY OTHER LIQUID!** Dry thoroughly with a soft cloth.
4. To clean the Inner Pot, remove from the rice cooker fill with hot water from the tap. Let it sit for a while, and then wash in hot soapy water with a sponge and dry thoroughly with a cloth.
5. The Measuring Cup and Spoon can be washed in warm soapy water. They are not dishwasher safe.
6. Wipe down the inside of the Lid, if necessary, with a clean damp cloth or sponge.
7. Make sure that grains of rice do not stick to the Heating Element in the bottom of the Base Unit. If grains of rice are stuck to the heating Element in the Heating Plate, a non-abrasive pad can be used to remove it. Polish the area for good contact between the heating Plate and the bottom of the Inner Pot.

8. This appliance has no use serviceable parts. Do not attempt to repair this appliance yourself, as you cause damage to yourself and to the appliance. Return it to the manufacturer/distributor for repair.
9. This appliance is for household use only.
10. Do not use bleach, vinegar, or other harsh chemicals to clean the Automatic Rice Cooker.

TROUBLE SHOOTING

| Symptom | Possible Solutions |
|---|---|
| No Indicator Lights Are illuminated. | Make sure the Automatic Rice Cooker is plugged Check between the Inner Pot and Heating Plate for any foreign substance. Be sure the area is clean. Make sure the Inner Pot is in the Base Unit. |
| Water overflows during cooking. | Before cooking, make sure you don't fill above top water level. Make sure lid is sealed before cooking. |
| Cooked rice, other Grains are too dry Or not completely cooking | Before cooking, make sure you put enough water in for the total amount of rice/grain included. After cooking, add ¼ cup water and set on "WARM" cooked. cycle for 10 minutes. Stir. Check between the Inner Pot and Heating Plate for any foreign substance. Be sure the areas are clean. Be sure to stir the cooked rice/grain as soon as cooking is done. Otherwise, it will clump and become hard on top. |
| Cooked rice and other grains are too watery. | Before cooking, make sure you don't add too much water for the amount of rice/grain included. Check between the Inner Pot and Heating Plate for any foreign substance. Be sure the area is clean. Make sure the cooking cycle is not interrupted. If the power supply cord is unplugged, rice may be cooked unevenly. |

CONSERVE ESTAS INSTRUCCIONES

Se suministra un cable de alimentación eléctrica corto para reducir los riesgos que significan los cables largos al enredarse. Debe utilizarse con cuidado una extensión eléctrica. En todo caso, la clasificación eléctrica destinada para esta, debe ser superior a la de la arrocera. Debe evitarse que la extensión eléctrica cuelgue o que pueda ser halada por algún niño, o enredarse este con ella.

PARA USO DOMESTICO SOLAMENTE
120V~60Hz