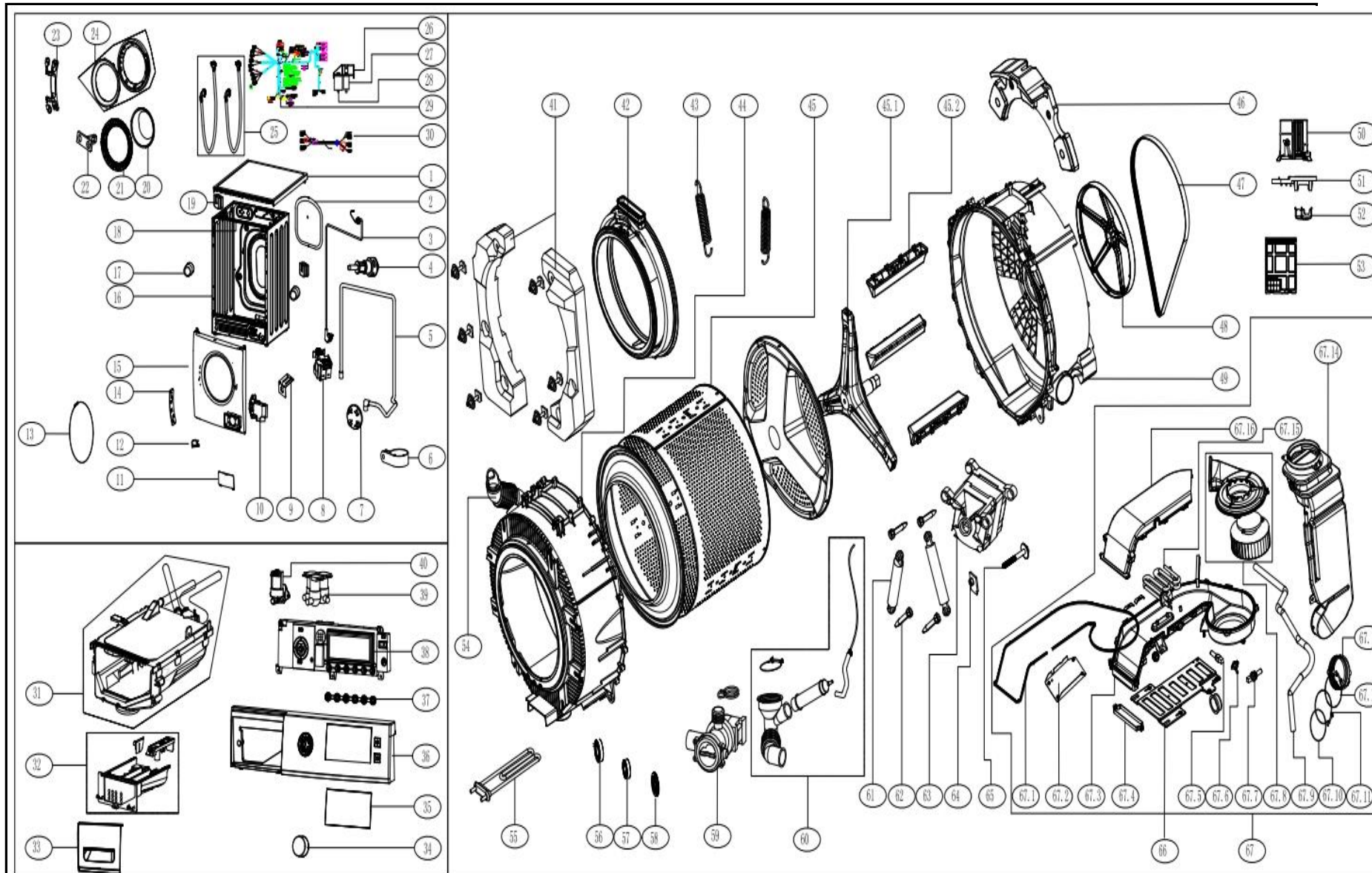


Exploded View

PWDC202FM



No.	Part Name	Quantity	BOM Code
1	Top Cover Assembly	1.0	12138100007522
2	Rear Cover	1.0	12238100000652
3	Power Cord	1.0	17438100000573
4	Shipping Screw Assembly	4.0	12938100000066
5	Drain Hose Assembly	1.0	12138100002973
6	Drain Hose Catch	1.0	12138100003094
7	Shipping_screw_cover	4.0	12138100003905
8	Water Level Sensor	1.0	11201005000002
11	Lint Filter Door	1.0	12138100005460
12	Wire Harness Catch	1.0	12138100000559
13	Door Gasket Spring Clip Spring	1.0	12938100000047
14	Door Hinge Assemble Bracket	1.0	12238100000401
15	Front Panel Assembly	1.0	12238100002563
16	Cabinet Assembly	1.0	12238100001481
17	Front Panel Pin	2.0	12138100000337
18	Top Bracket	1.0	12238100000023
19	Spring Support	2.0	12138100003060
20	Door Glass	1.0	12538100000006
21	Inner Ring	1.0	12138100003677
22	Door Plunger	1.0	12338100000215
23	Hinge Assembly	1.0	12338100000185
24	Outer Frame Assembly	1.0	12138100005034
25	Water Inlet Hose Assembly	1.0	12038100000481
26	Electric Filter Support	1.0	12138100000557
27	Capacitor	1.0	17400101000250
28	Electric Filter Assembly	1.0	17438100001355
29	Internal Wire Assembly	1.0	17438100001124
30	Internal Wire Assembly	1.0	17438100000799

31	Dispenser Subassembly	1.0	12138100003242
32	Drawer Assembly	1.0	12138100003070
33	Drawer Handle And Printing	1.0	12138100006195
34	Cycle Select Knob Assembly	1.0	12138100009873
35	LED Decorate Plate And Printir	1.0	12138100005484
36	Control Panel Assembly	1.0	12138100004836
37	Silicone Button	1.0	12638100000802
38	PCB	1.0	17138100004343
39	Water Inlet Valve	1.0	17438100000415
40	Water Inlet Valve	1.0	17438000000464
41	Counterweight Assembly	1.0	12738100000261
42	Door Gasket	1.0	12638100000211
43	Suspension Spring	2.0	12900104000013
43	Tub Seal	1.0	12638100000173
44	Front Tub Assembly	1.0	12138100002105
45	Basket Assembly	1.0	12238100000522
45. 1	Spider Assembly	1.0	12338100000097
45. 2	Baffle	3.0	12138100002403
46	Rear Conterweight	1.0	12338100000355
47	Belt	1.0	12638100000250
48	Pulley	1.0	12338100000151
49	Outer Barrel After And Bearing	1.0	12138100002672
50	Frequency-Converter	1.0	17138100005703
51	Frequency-Converter Support	1.0	12138100007669
52	Waterproof Shield	1.0	12138100002131
53	Sound Insulation Plate Assemb	1.0	12138100003342
54	Tub Water Inlet Hose Assembly	1.0	12638100000279
55	Heater	1.0	17438100000435
56	Bearing	1.0	12938100000127
57	Bearing	1.0	12938100000130
58	Shaft_seal	1.0	12638100000288
59	Permanent magnet synchronou	1.0	11001011000176
60	Tub Drain Hose Assembly	1.0	12638100000125
61	Damper	2.0	12938100000466
62	Damper Pin	4.0	12138100002987
63	Three phase asynchronous mo	1.0	11002013000709
64	Motor Bracket	1.0	12238100000222
65	Bolt	1.0	11301805000004
66	Felt	1.0	12238100000218
67	Tunnel Assembly	1.0	12338100000021
67. 1	Tunnel Seal	1.0	12638100000067
67. 2	Reflection Plate	1.0	12238100000665
67. 3	Tunnel Base	1.0	12338100000123
67. 4	Clamp Piece	1.0	12938100000401
67. 5	Temperature Sensor	1.0	17438100001351
67. 6	Thermostate	2.0	17400513000457
67. 7	Temperature Sensor	1.0	17438100001352
67. 8	Fan Flange Assembly	1.0	17438100000491
67. 9	Cooling Pipe Assembly	1.0	12638100000821
67. 10	Sealed Gasket	1.0	12638100000069
67. 11	Clip Spring	2.0	12900101000327
67. 13	Breathe In Mouth Bellows	1.0	12638100000261
67. 14	Condenser Assembly	1.0	12138100003483
67. 15	Heater	1.0	17438100000436
67. 16	Tunnel Cover	1.0	12338100000052