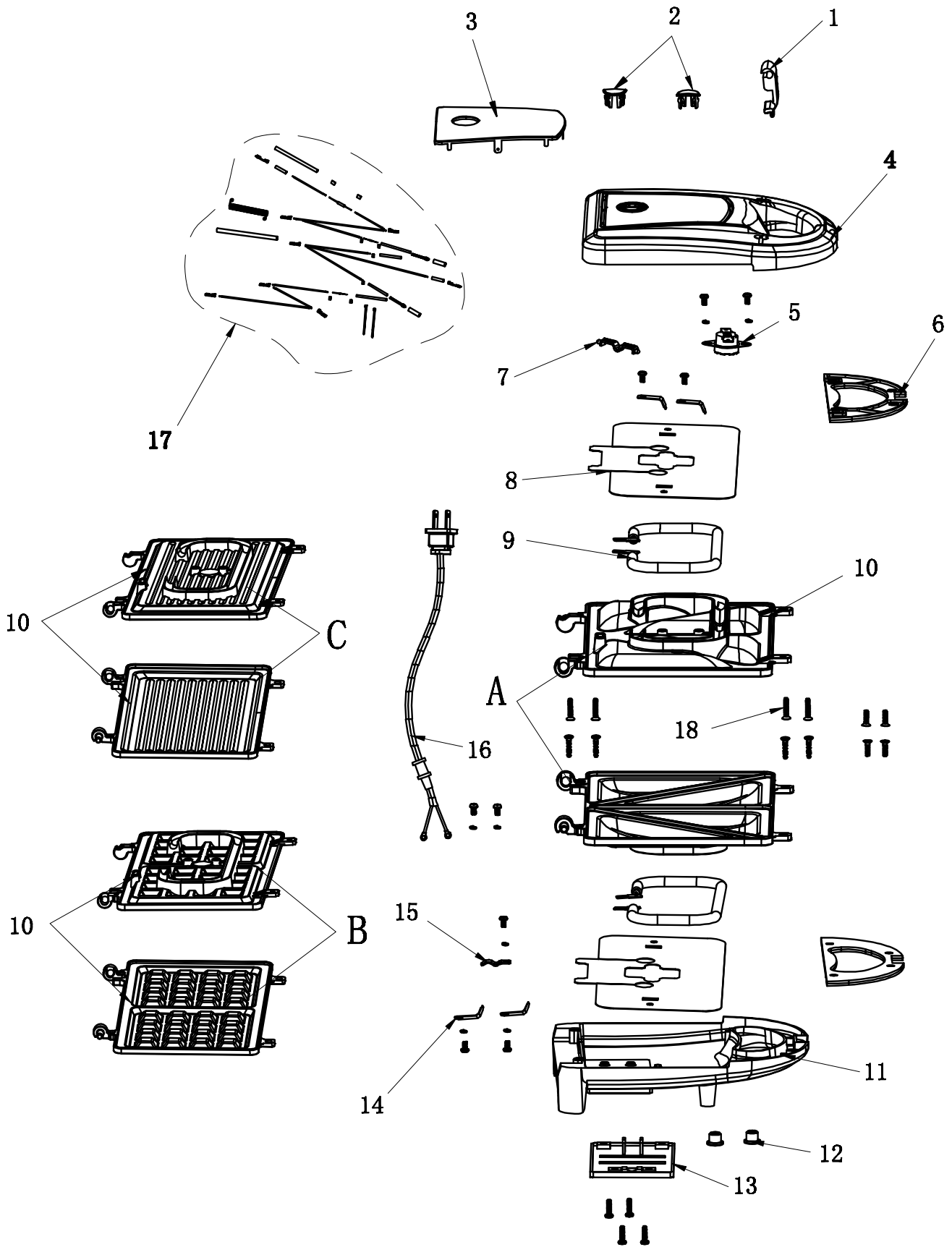


explor drawing



Voltage: 110-120V Frequency: 60Hz 650-760W

Part No.	Part Name	Quantity	Technique data	Material
1	Lock	1	PP	
2	Indicate light Cover	2	137°C PC101-G4	
3	S/S Decoration Panel	1	SUS430	
4	Top Cover	1	140°C PF ₂ A ₄ -161J	
5	Thermostat	1	KSD 170°C 125V 10A	
6	Handle	2	140°C PF ₂ A ₄ -161J	
7	Internal Wire Presser	1	PA66	
8	Mica	2	HT566X-X	
9	Heating element	2	115-120V/350-375W	
10	Heating plate	2	ADC12 Aluminium	
11	Base	1	140°C PF ₂ A ₄ -161J	
12	Rubber Feet	2	PVC	
13	Connection Cover	1	PA66	
14	Heating element press	4	F18	
15	Thermo fuse press	1	F18	
16	Power cord with plug	1	A125V 10A UL	
17	Internal wire	1sets		
18	screw	25		