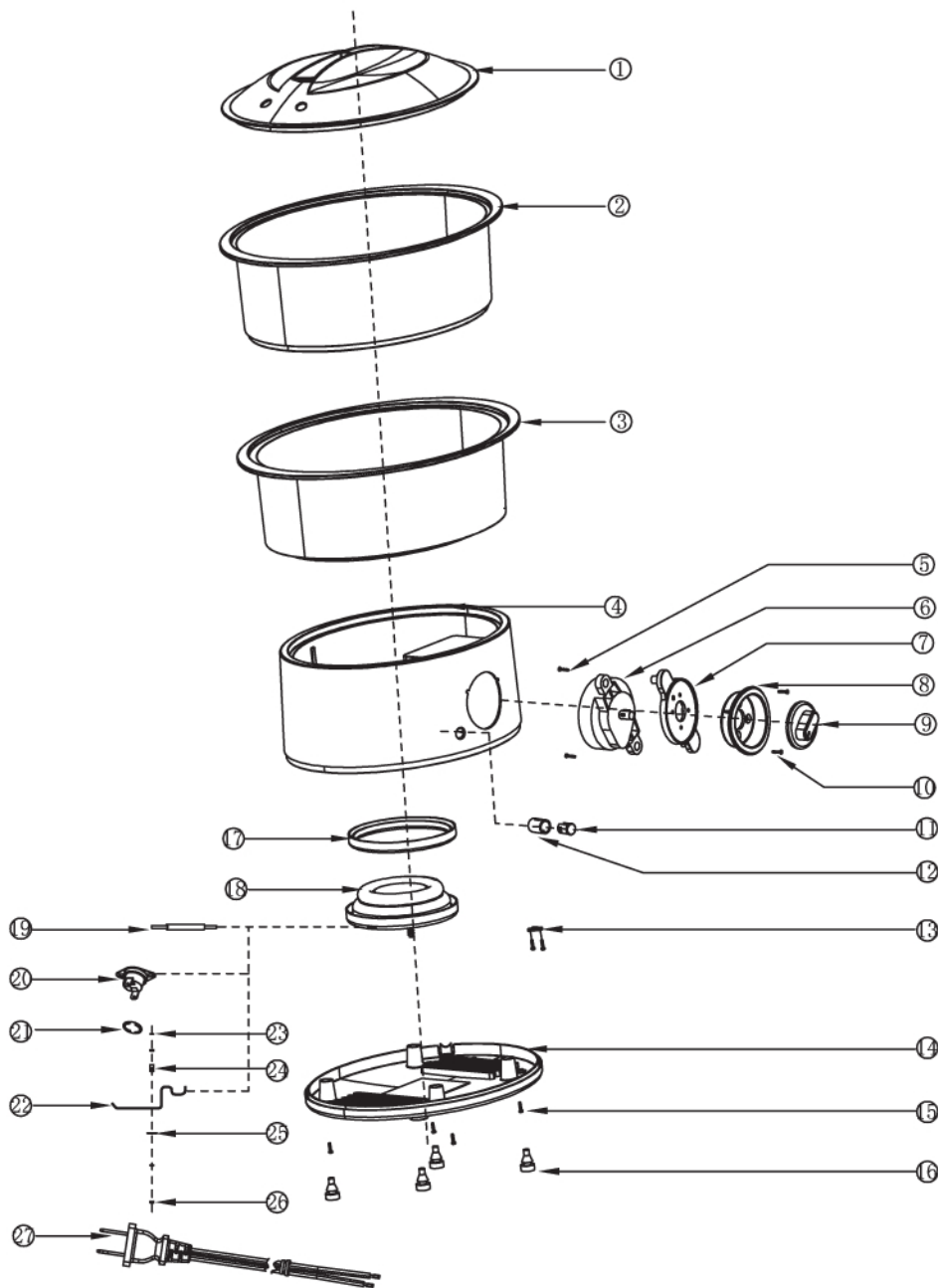


A

B

C



NO.	Name	Material	Quantity
1	lid	PC	1
2	layer 2	PC	1
3	layer 1	PC	1
4	water tank	PP	1
5	screw	PWA3*8	2
6	timer		1
7	timer bracket	ABS	1
8	scale ring	ABS	1
9	knob	ABS	1
10	screw	KA3*6	2
11	light cover	PC	1
12	light cover fixer	PC	1
13	B clip	PP	1
14	base	PP	1
15	screw	PA3*12	6
16	feet	TPR	4
17	seal ring	silcon	1
18	heating	120V/400W	1
19	fuse		1
20	thermostat		1
21	silcon shim	silcon	1
22	thermostat board	galvanized plate	1
23	spring shim		2
24	center bushing		1
25	flat shim		2
26	nut	M4	1
27	cord		1

A

B

C