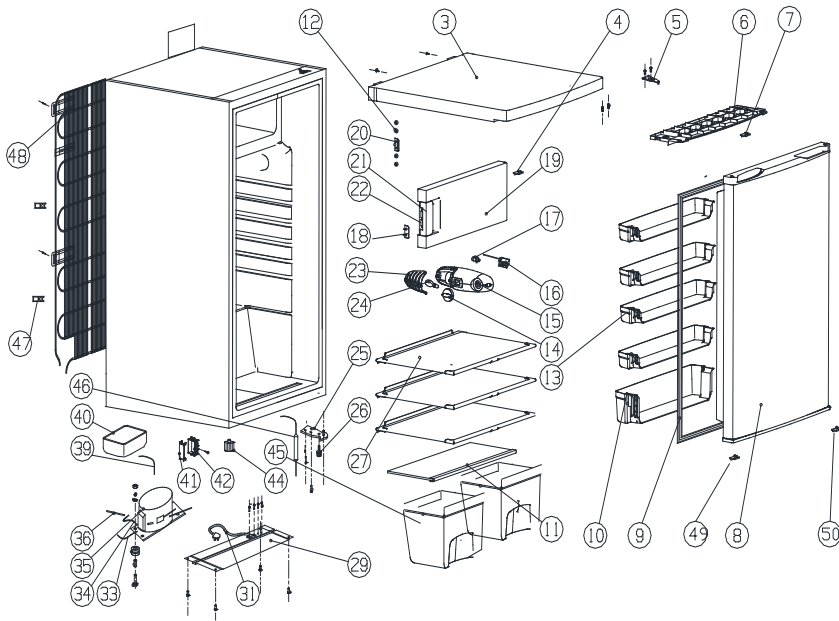


Spare Parts List



1	Cabinet
3	Top cover
4	Hinge balcony of ice making door
5	Upper hinge assembly
6	Support plate of top cover
7	Door switch
8	Door gasket
9	Door gasket
10	Lower door lower balcony
11	Crisper cover
12	Door handle screw hole cover
13	Lower door middle balcony
14	Thermostat knob
15	Thermostat cover
16	Thermostat
17	Lamp holder assembly (E14)
18	4star door hinge base cover
19	Door of ice making chamber
20	Seat of freezer chamber door hinge
21	Handle of freezer chamber door
22	Handle spring
23	Lamp cover
24	Lamp Bulb (E14,110V)
25	Lower hinge assembly
26	Short adjust foot
27	Shelf of refrigerator chamber
29	Compressor base support
31	Power supply cord with plug
33	Connecting wire of compressor
34	Earthing wire of compressor
35	Compressor(UKT60YAX)
36	Process tube
39	Connecting tube (short)
40	Drain pan
41	Base of wire box
42	Wire box
44	Long adjust foot
45	Crisper drawer
46	Drier filter (for R600a)
48	Condenser
49	Lower door left aid-closer
50	Lower door right aid-closer