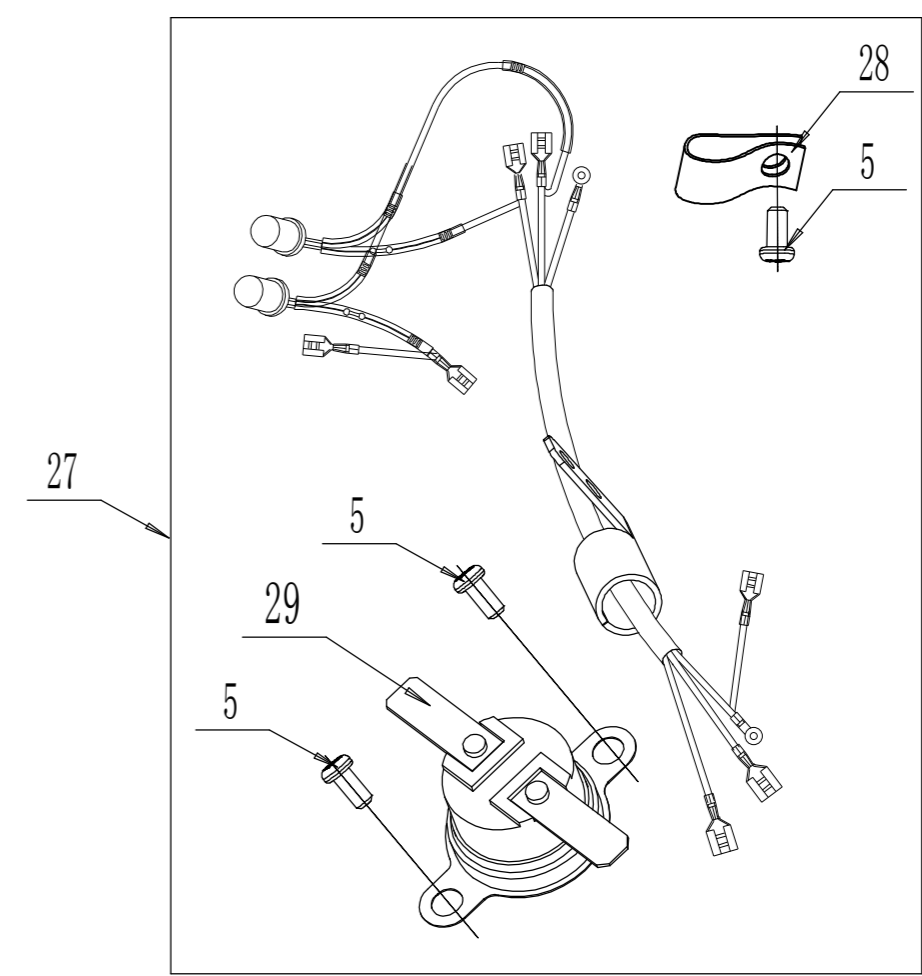
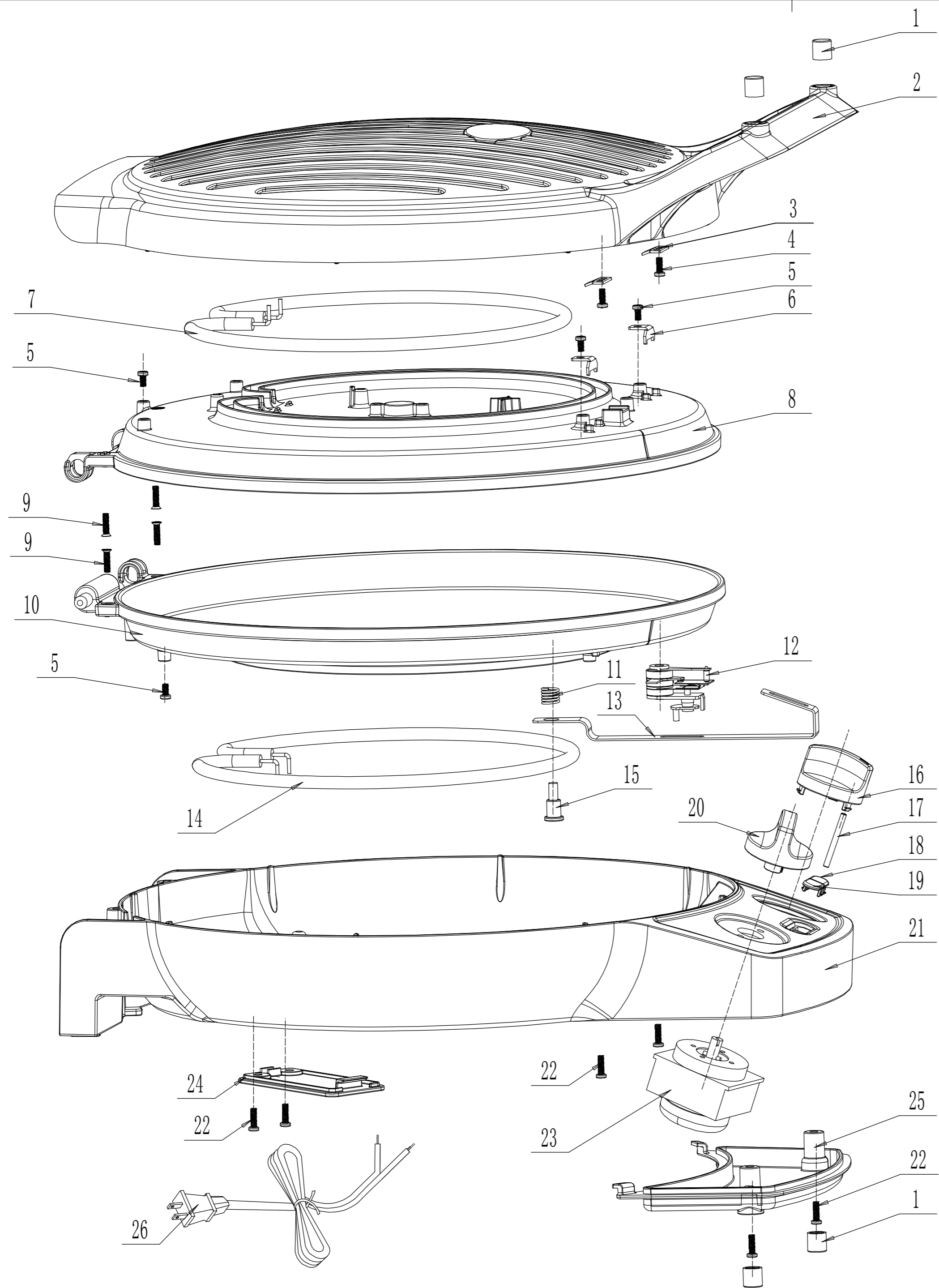


未標示公差 Undefined Tolerance		
0mm<=A<20mm		±0.1
20mm<=A<80mm		±0.3
80mm<=A		±0.5



NO.	Drawing NO.	Item	Qty	Material	remark
29	20000-01-185s	恆溫器 thermostat	1	185度	
28	12112-06-N	線扣片 wire clip	1		
27		內配線組 interal wiring	1		
26	40021-067BHU-E2P0	電源線 power cord	1	L=67mm	
25	C2937-03A	底蓋 base cover	1	PP AW564+30AC03	
24	122C8-06-2B	電源盒蓋 power cover	1	PP AW564	
23	24000-DKJ1-30MS-N	定時器 Timer	1		
22	33000-44-3*10-N	螺絲 screw	6	3*10 BTP NI	
21	C2937-02A	下殼 lower housing	1	PF T383J	
20	C2937-04A	定時旋鈕 Timer button	1	ABS	
19	112CY-01-0-N	燈罩 (左) lamp	1	PC	
18	112CY-02-0-N	燈罩 (右) lamp	1	PC	
17	C2397-07A	插銷 bolt	1	SUS430	
16	C2937-05A	調溫旋鈕 temp control button	1	ABS	
15	33261-02C-N	抬桿螺絲 screw	1		
14	272CY-01-D-N	下電熱管 lower heater	1	120V 640W	
13	C2937-06A	調溫連桿 the rod for control temp	1		
12	202DX-01-200S	可調恆溫器 adjusted thermostat	1		
11	31D10-10-N	卡柱彈簧 spring	1		
10		下烤盤 Lower plate	1	ADC12	
9	33000-44-3*15-N	螺絲 screw	4	3*15 BTP NI	
8		上烤盤 upper plate	1	ADC12	
7	272CY-01-AM-N	上電熱管 upper heater	1	120V 800W	
6	31247-01-LO-H-N	下固定片 lower stator	2	T1.2	
5	33000-44-3*6-N	螺絲 screw	7	3*6 BTP NI	
4	33000-44-3*8-N	螺絲 screw	2	3*8 BTP NI	
3	31247-01-UP-H-N	上固定片 upper stator	2	T1.2	
2	C2937-01A	上殼 upper housing	1	PF T383J	
1	51214-01-B-N	腳墊 (Foot pad)	4	silicone	