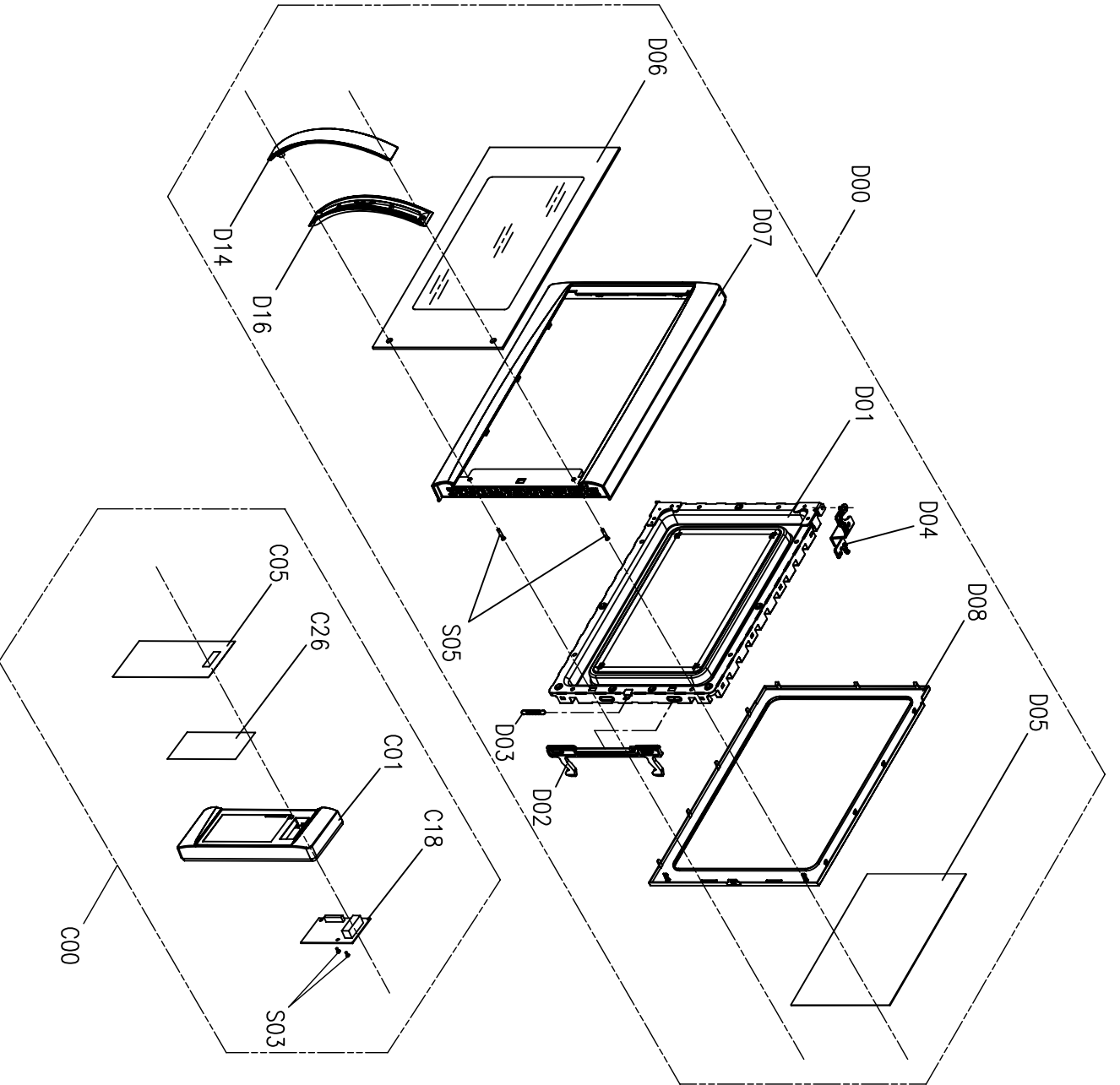


Z24	Case Out	1	
Z22	Sponge	1	
Z01	Holder H.V.C	1	
W03	Motor Fan	1	
W02	Fan	1	
W01	Guide Fan	1	Q315
T04	Toy	1	
T03	Ring Rotating ASSY	1	
T02	Coupler	1	PPS
T01	Motor Toy	1	
S21	Spring Washer 4x1	1	
S17	Screw S14*10D18	1	
S16	Screw S14*10D18	3	
S11	Screw S14*10D18	2	
S08	Screw C14*10D18HC	3	
S07	Screw C14*10D18HC	9	
S06	Screw S14*12D18HC	2	
S05	Screw S14*12D18HC	4	
S04	Screw S14*10D18HC	8	
S03	Screw S14*10D18HC	1	
S01	SCREW C13*8D8HC	2	
L05	Horness Mold	1	
L04	Microswitch Monitor	1	
L03	Microswitch Interlock	2	
L02	Lever Switch	1	
L01	Board Latch	1	
E35	Thermostat	1	
E16	Power Cord ASSY	1	
E13	Lamp	1	
E11	Fuse	1	
E12	Holder Fuse	1	
E07	H.V.Diode	1	
E06	H.V.Capacitor	1	
E05	H.V.Transformor	1	
E40	THERMOSTAT 110/70 °H	1	
E01	Magnetron	1	
D00	ASSY D/PANEL	1	
C00	ASSY C/PANEL	1	
B03	ASSY BRKT Hinge *U	1	
B02	Leg	4	
B01	Base Plate	1	
A01	Cover Move Guide	1	
A00	ASSY Cavity	1	
No.	part name	Quantity	Material or spec
The exploded drawing for P.Motors			



No.	Part Name	Qty.	No.	Part Name	Qty.
S05	SCREW ST4*12PW6HC	2	S05	SCREW ST4*8PBHC	2
D16	HANDLE SUPPORT	1	D04	UPPER HINGE	1
D14	HANDLE	1	D03	LATCH SPRING	1
D08	DOOR GASKET	1	D02	LATCH	1
D07	DOOR PANEL	1	D01	DOOR FRAME ASSY	1
D06	DOOR HINGE	1	D00	DOOR	1
D05	DOOR INNER FILM	1			
D04	UPPER HINGE	1			
D03	LATCH SPRING	1			
D02	LATCH	1			
D01	DOOR FRAME ASSY	1			
D00	DOOR	1			

Version	A	Model	PA11075