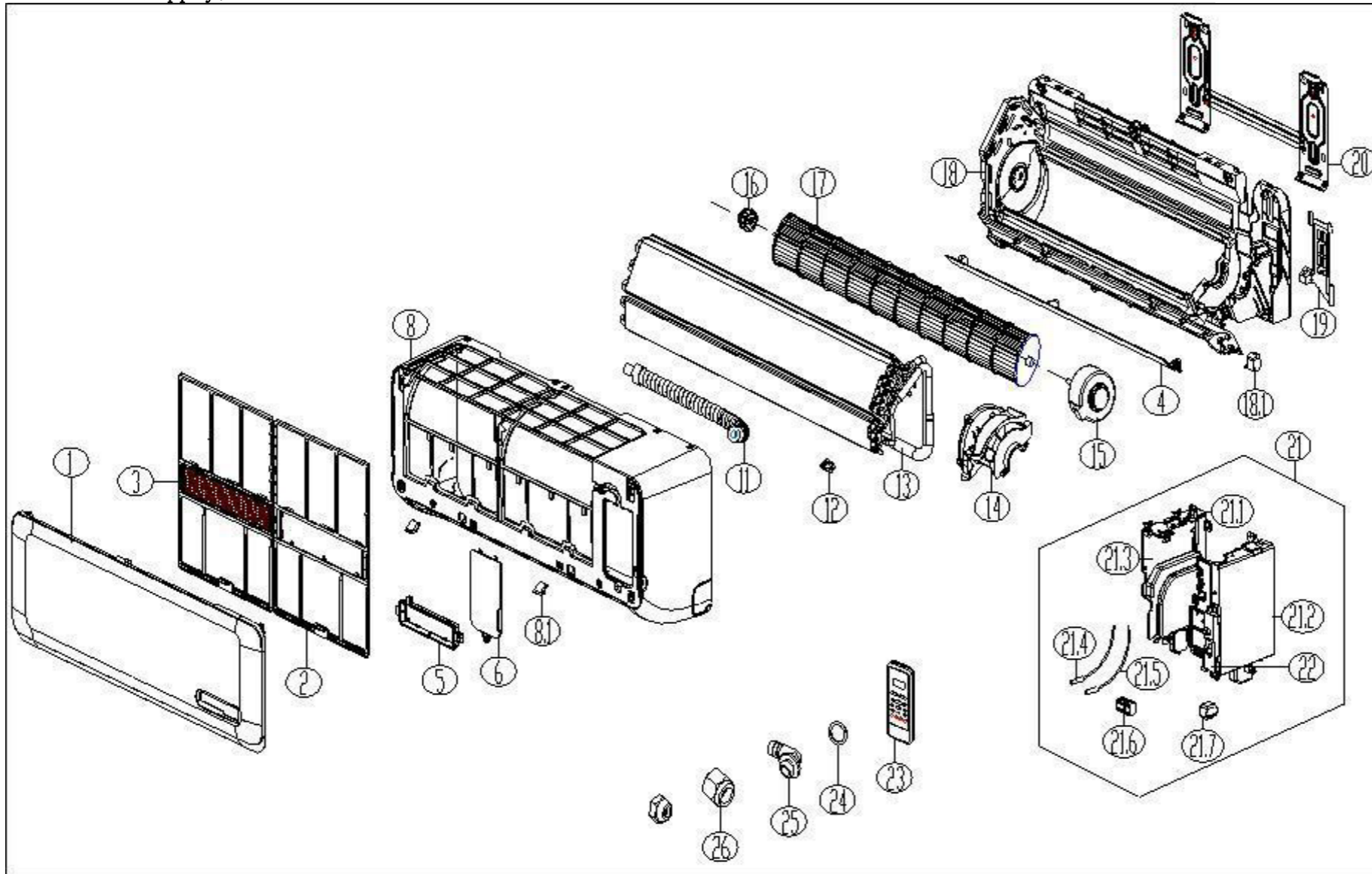


Exploded View Parts for Model

Power Supply:

220-230V~ 60Hz 1Phase



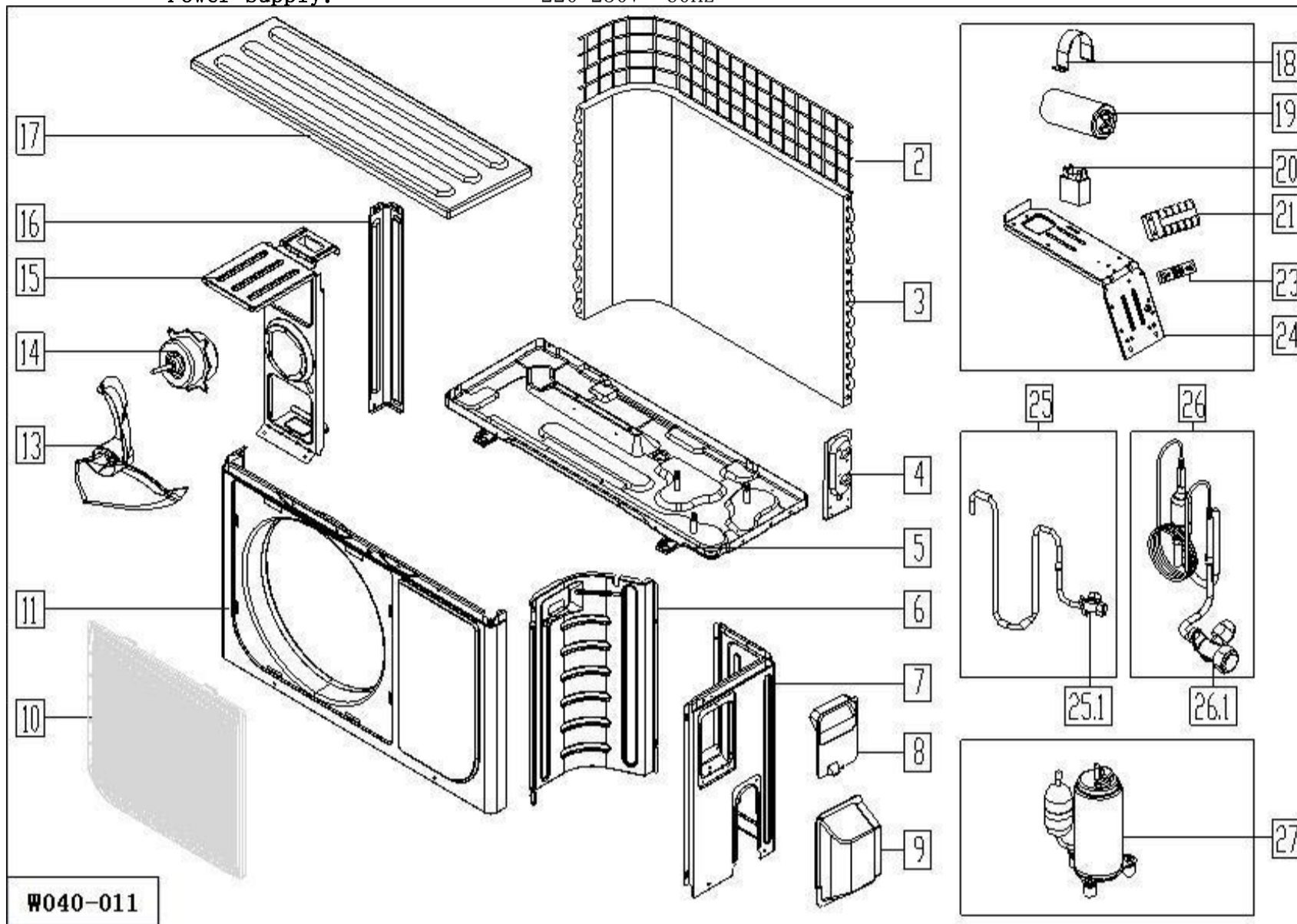
No.	Part Name
-----	-----------

- | | |
|------|--|
| 1 | Panel assembly |
| 2 | Air filter |
| 3 | Air cleaner |
| 4 | Horizontal louver |
| 5 | Display box assembly |
| 6 | Cover of indoor electronic control box |
| 8 | Panel frame assembly |
| 8.1 | Screw cap |
| 11 | Drain hose |
| 12 | Fix clamp of temperature sensor |
| 13 | Evaporator assembly |
| 14 | Fan motor cover |
| 15 | Asynchronous motor |
| 16 | Bearing base |
| 17 | Cross flow fan |
| 18 | Chassis assembly |
| 18.1 | Louver motor |
| 19 | Pipe clamp board |
| 20 | Installation plate |
| 21 | Electronic control box assembly |
| 21.1 | Electronic control box I |
| 21.2 | Electronic control box II |
| 21.3 | Main control board assembly |
| 21.4 | Ambient temperature sensor assembly |
| 21.5 | Pipe temperature sensor assembly |
| 21.6 | Wire joint |
| 21.7 | Transformer |
| 22 | Cover of electronic control box |
| 23 | Remote Controller |
| 26 | Nut |
| 26 | Nut |

Exploded View Parts for Model

PAC9037/0
220-230V~ 60Hz

Power Supply:



No.	Part Name
-----	-----------

2	Rear net
3	Condenser assembly
4	Valve plate
5	Chassis assembly
6	Partition board
7	Right clapboard
8	Big handle
9	Water collector
10	Air outlet grille
11	Front panel
13	Axial flow fan
14	Asynchronous motor
15	Supporter assembly of fan motor
16	Left supporter
17	Top cover assembly
18	Capacitor clip
19	Capacitor of compressor
20	Fan motor capacitor
21	Wire joint
23	Insulation plate
24	Supporting board
25	Suction pipe assembly
25.1	Gas valve
26	Liquid valve assembly
26.1	Liquid valve
27	Compressor