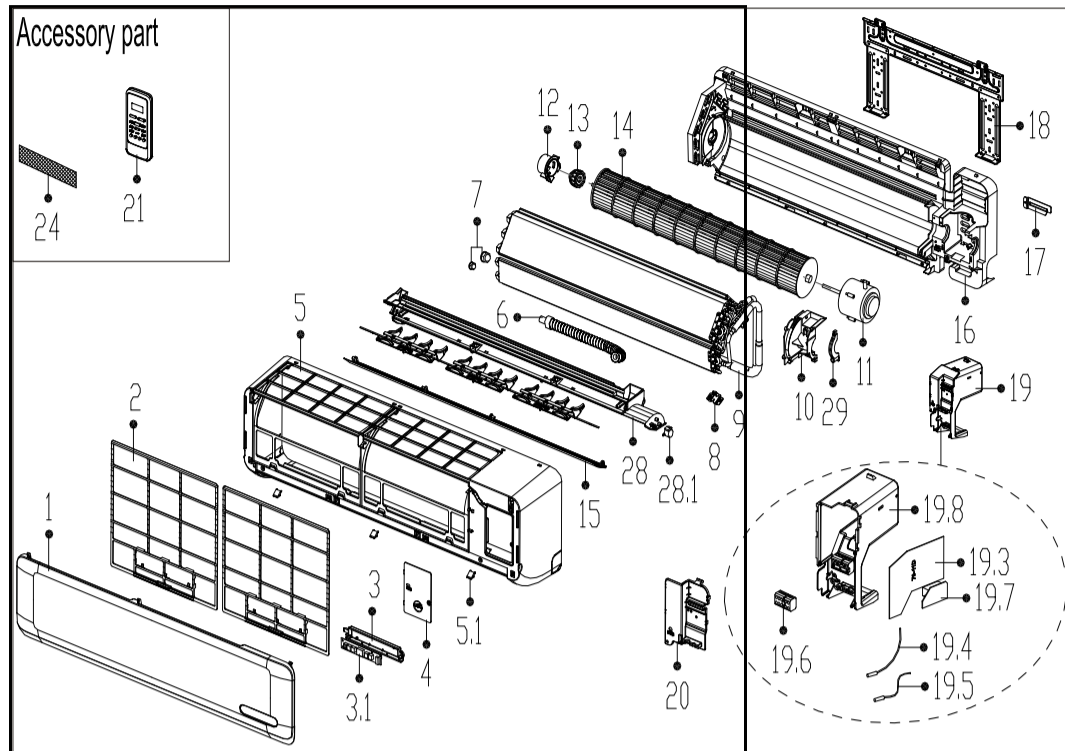


# PREMIUM Exploded View

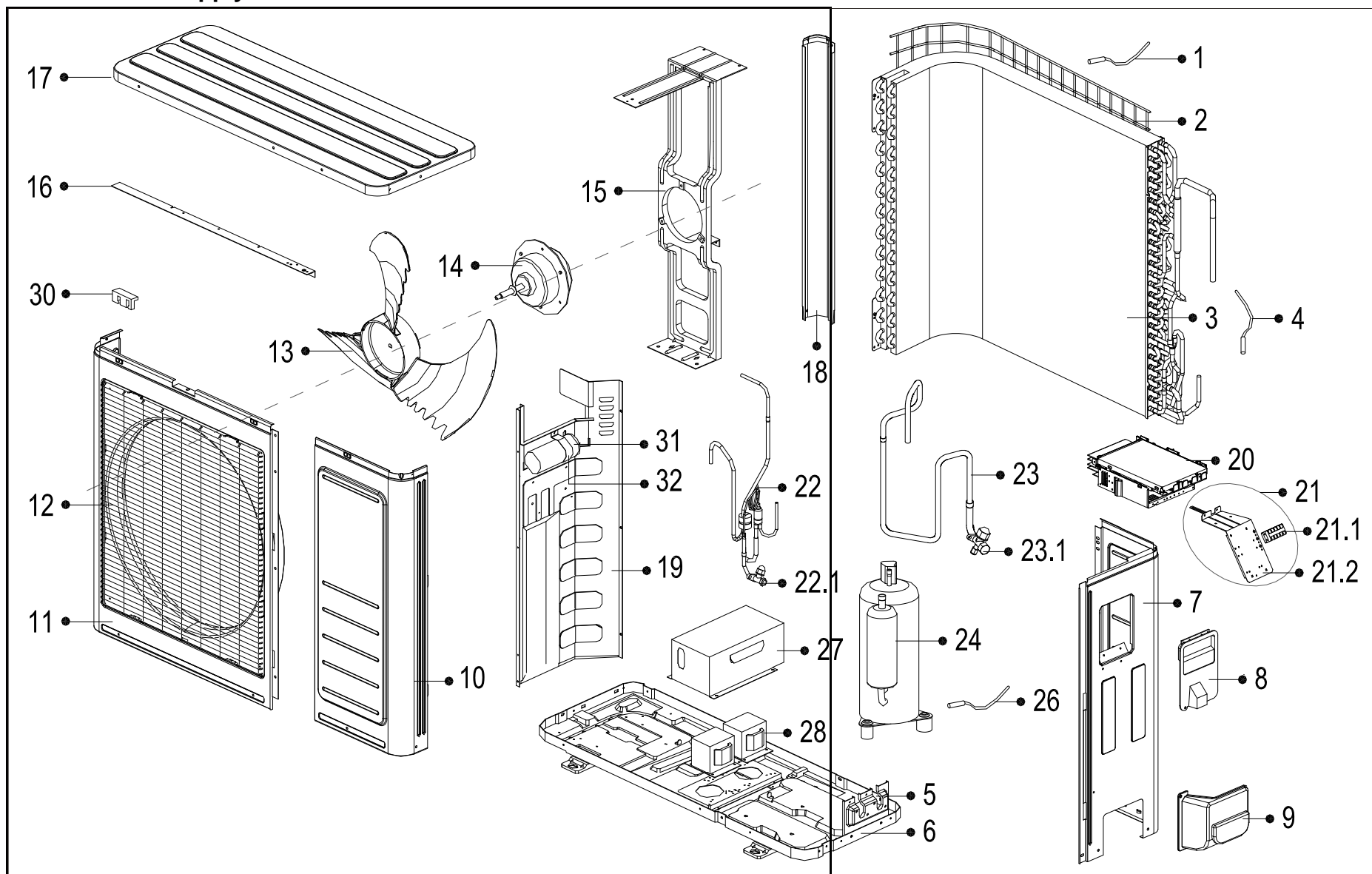
PIA22064A  
208-230V~ 60Hz 1Phase



序号		数量
No.	Part Name	Quantity
1	Panel assembly	1
2	Air filter	2
3	Display box assembly	1
3.1	Display board assembly	1
4	Cover of indoor electronic control box	1
5	Panel frame assembly	1
5.1	Screw cap	3
6	Drain hose	1
7	Pipe Nut	1
7	Pipe Nut	1
8	Fix clamp of temperature sensor	1
9	Evaporator assembly	1
10	Fan motor cover	1
11	Asynchronous motor	1
12	Bearing holder	1
13	Bearing base	1
14	Cross flow fan	1
15	Horizontal louver	1
16	Chassis assembly	1
17	Pipe clamp board	1
18	Installation plate	1
19	Electronic control box assembly	1
19.3	Main control board assembly	1
19.4	Ambient temperature sensor assembly	1
19.5	Pipe temperature sensor assembly	1
19.6	Wire joint	1
19.7	Transformer	1
19.8	Electronic control box	1
20	Cover of electronic control box	1
21	Remote Controller	1
24	Air freshening filter	1
28	Air outlet assembly	1
28.1	Louver motor	1
29	Fixing board of fan motor	1

## PREMIUM Exploded View

Sale Model: PIA22065B  
Power Supply: 208-230V~ 60Hz 1Phase



序号	零部件名称		数量
No.	Chinese Name	Part Name	Quantity
1	室温传感器组件(REACH-7)	Ambient temperature sensor assembly	1
2	后网(RoHS)	Rear net	1
3	冷凝器部件	Condenser assembly	1
4	管温传感器组件(REACH-7)(Ro Pipe temperature sensor assembly)		1
5	阀安装板(SB2014,RoHS,t1.2)	Valve plate	1
6	底盘部件(SB2014,RoHS)	Chassis assembly	1
7	右后侧板部件(SB2014,RoHS)	Rear right clapboard assembly	1
8	大把手(SB2014,RoHS)	Big handle	1
9	接水盖(S2014,RoHS)	Water collector	1
10	右前侧板部件(大凸包)(SB2014)	Front right clapboard assembly	1
11	前面板(SB2014,RoHS)	Front panel	1
12	出风网罩(SB2014,RoHS)	Air outlet grille	1
13	轴流风叶(RoHS)	Axial flow fan	1
14	异步电机(配小风叶)(铁壳)(RoH Asynchronous motor)		1
15	电机支架部件(RoHS)	Supporter assembly of fan motor	1
16	后网板架组件(RoHS)	Rear supporter	1
17	顶盖部件(SB2014,RoHS)	Top cover assembly	1
18	左支撑板(SB2014,RoHS)	Left supporter	1
19	隔板部件(ROHS)	Partition board assembly	1
20	室外电控盒组件(RoHS)	Electronic control box assembly	1
21	端子板组件(ROHS)	Terminal board assembly	1
21.1	接线座(5位)(RoHS)UL认证	Wire joint	1
21.2	电控盒端子板组件(RoHS)	Terminal board	1
22	高压阀部件	Liquid valve assembly	1
22.1	高压阀(RoHS)	Liquid valve	1
23	低压阀部件	Gas valve assembly	1
23.1	低压阀(英制,RoHS)	Gas valve	1
24	压缩机(带附件,配1K1491011#)	Compressor	1
26	排气温度传感器组件(RoHS)	Discharge temperature sensor assembly	1
27	电感盖部件(RoHS)	Cover of inductance	1
28	电抗器(RoHS)	Reactor	1
28	电抗器(RoHS)	Reactor	1
30	前网卡子(RoHS)	Clamp of front net	8
31	压缩机电容(RoHS)	Capacitor of compressor	1
32	电容卡(Φ50,一个螺钉孔)(RoHS)	Capacitor clip	1