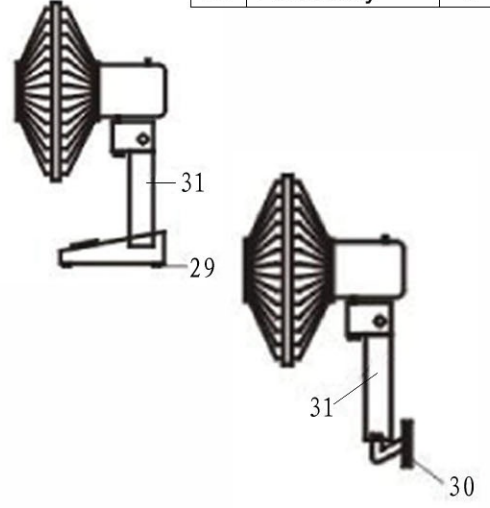


serial number	Name of Material	dosage
01	plastic foot	4
02	cross base	2
03	tube foot plastic	1
04	post	1
05	inner tube	1
06	control panel	1
07	lamp cover	1
08	neck knob	1
09	grill cover	1
10	front grill	1
11	blade nut	1
12	blade	1
13	grill nut	1
14	back grill	1
15	motor front cover	1
16	motor	1
17	clutch nut	1
18	motor cover	1
19	swing arm	1
20	fan neck	1
21	neck gear	2
22	lamp	1
23	switch	1
24	panel cover	1
25	stick screw	1
26	tension disc	1
27	plug/power cord	1
28	Panel of adornment	1
29	Table Plate	1
30	Wall Firmware	1
31	Fan Body	1



4

3

2