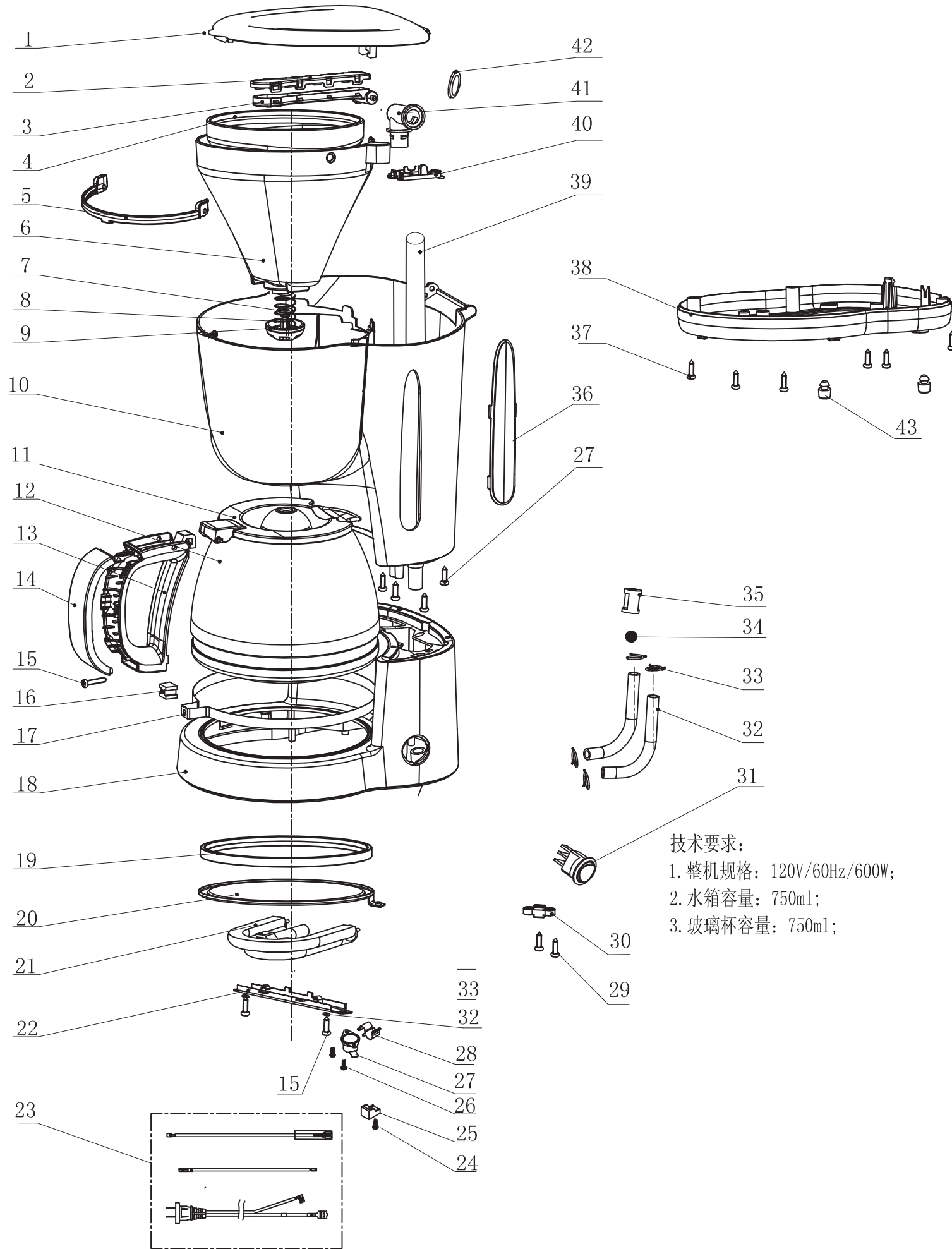


图号: CM1032A-CB-00-20



序号	代号	名称	数量	材料及规格	备注
48					
47					
46					
45					
44					
43	CM4613-4-18	底脚 Foot	1	硅胶	
42	XQ683-10-06	接管密封圈 Joint tube seal ring	1	XQ683/硅胶	
41	CM4313-10-08	接管 Joint tube	1	PP	
40	CM4008-10-05	水嘴支架 Sprayer bracket	1	PP	
39		蒸气导管 Steam conduit	1	Φ6.0×Φ8.5×140/PP	
38	CM1032-CB-10-04	底盖 Bottom cover	1	PP	
37		自攻螺钉 Screw	5	ST3×12/一字槽/平圆头/A/碳钢/镀蓝白锌	
36	CM1032-CB-10-05	水尺 Gauge	1	PP	
35	CM4249-10-35	单向阀壳 Anti back valve shell	1	PP	
34	XQ602-10-07	单向阀珠 Anti back valve ball	1	PP/红色	
33		喉夹 Clamp	4	Φ12×Φ1.2/弹簧钢丝/镀锌	
32		硅胶管 Silicon tube	2	Φ8×Φ12×90/透明	
31		圆翘板开关 Rocker switch	1	10C-105-8/125V/10(8)A-105/圆翘0方向45度	
30	HN848-1-09	压线码 Strain relief	1	PP	
29		自攻螺钉 Screw	2	ST3×14/十字槽/平圆头/垫圈/A/碳钢/镀蓝白锌	
28	CM4165-20-02	弹簧夹片	1	CM4165/SUS301/t0.4mm	
27		温控器 Thermostat	1	温控环/187*0.8不锈钢/直插/电木/250V/5A/CS/15℃/KS001	
26		自攻螺钉 Screw	2	ST3×6/一字槽/平圆头/A/碳钢/镀蓝白锌	
25		压块 Press block	2	Cu8/酚醛树脂(电木)/16×10×9	
24	CM8-1-14	自攻螺钉 Screw	6	ST3×10/一字槽/平圆头/A/碳钢/镀蓝白锌	
23	CM1032AC-UL-02-01	内配线组件 Lead wire asm	1	CM1032-CB/18°20AWG/UL3122/CB	
22	CM1032-CB-20-02	发热管压条 Heat element clamp	1	CM1032-CB/10.8/SUS430	
21	CM4008-60-03	电热管 Heater	1	CM4008/120V/60Hz/600W/U型/铝管	
20	CM4008-20-02	保温板 Warming plate	1	t0.8/SECC/Φ110	
19	CM4008-V-40-01	隔热密封圈 Insulating seal ring	1	CM4008-V/硅胶 HD-95	
18	CM1032-CB-10-02	主体 Main housing	1	PP	
17	CM4182T-20-05	杯圈 Carafe ring	1	CM4182T/10.3/SUS430/395×8	
16	XQ602-1-14	杯圈固定块 Carafe fix	1	PP	
15	GB1845K_ST3X16WZnA	自攻螺钉 Screw	3	ST3×16/一字槽/平圆头/垫圈/A/碳钢/镀蓝白锌	
14	CM4182T-10-10	杯手柄盖 Carafe handle cover	1	PP	
13	CM4182T-10-09	杯手柄 Carafe handle	1	PP	
12	CM4182T-80-01	玻璃杯 Carafe	1	CM4182T/玻璃/带丝印/LF/DG/SV/R	
11	CM4182T-10-08	杯盖 Carafe_lid	1	PP	
10	CM1032A-CB-10-01	水箱 Water tank	1	PP	
9	TF4-10-14	止漏阀 Anti drip valve	1	PA66	
8	TF4-80-01	止漏弹簧 Spring	1	不锈钢/Φ0.6×Φ12×22/P=1.2	
7	TF4-10-03	止漏密封圈 Seal ring	1	TF4/硅胶/本色	
6	CM4182-AT-10-02	漏斗 Funnel	1	PP	
5	XQ683H-10-02	漏斗提手 Funnel handle	1	XQ683H/PA66-30%GF	
4	CM4182-AT-10-06	滤网 Filter	1	CM4182-AT/PP HJ730L	
3	CM4313-10-09	水嘴 Sprayer	1	PP	
2	CM4313-10-10	水嘴盖 Sprayer cover	1	PP	
1	CM1032-CB-10-03	顶盖 Top cover	1	PP	

标记 处数 更改单号 更改描述 签名 日期