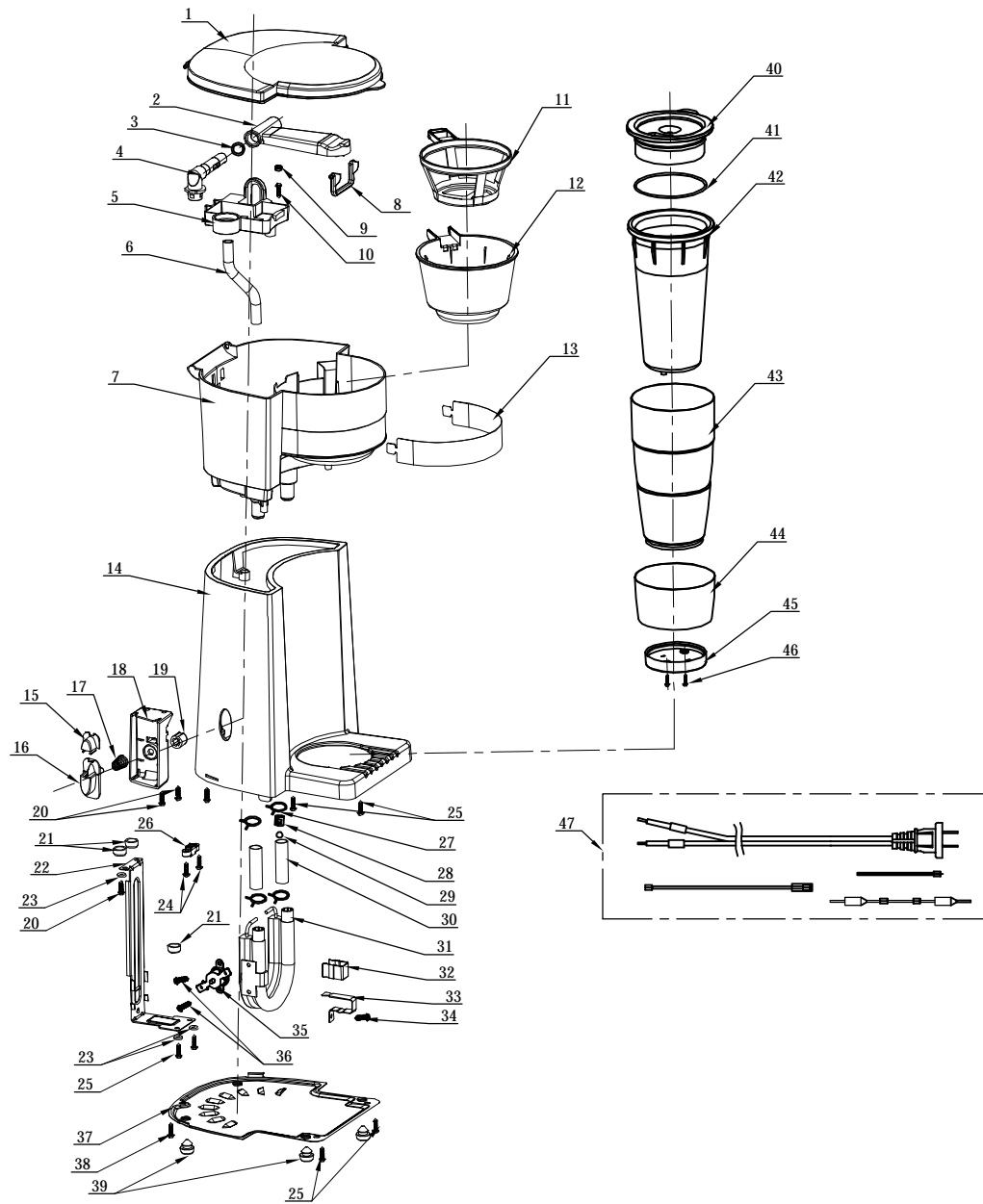


1

2

3

4



47	CM011-02-01	Lead wire Asm	1	CM011(UL)
46		Screw	2	ST3X10/
45	XQ645-10-22	Cup Bottom	1	PP H1315
44	XQ645-40-02	Cup Sheel Rubber Ring	1	rubber/black
43	XQ645-20-01	Carafe Shell	1	SUS304/t0.5
42	XQ645-10-21	Carafe Cup	1	PP H1315
41	XQ645-40-01	Cup Cover Silicone Ring	1	Silicone
40	XQ645-10-20	Carafe Cover	1	PP H1315
39	CM1106-10-14	Foot	4	
38		A Screw	1	ST3x10/H
37	CM011-20-01	Bottom Cover	1	t0.4
36		A Screw	2	ST3x6
35	CM1270-60-03	Thermostat	1	115°C/125V/16A
34		Screw	1	M3x6
33	CM4011-20-04	Heat Element Stator	1	t0.6
32	CM4238-20-06	Fuse Clip	1	1Cr12Ni1/t0.5
31	CM4011-60-02	Heat Element	1	CM4011/120V/600W
30		Silicone tube	2	Φ8.0x12x63
29	XQ602-1-16	Anti back valve ball	1	PP HP602N
28	XQ683-10-16	Anti back valve shell	1	PP H1315
27		Clamp	4	Φ12xΦ1.2
26	CM4226-10-47	Strain Relief	1	PA66 A45L-1
25		A Screw	8	ST3x10
24		A Screw	2	ST3x14
23		Washer	4	
22	CM011-20-03	Heat Element Holder	1	SECC/t0.8
21	XBM438-1-12	Thermal Insulating Mat	4	D131
20		A Screw	4	ST3x14
19	CM4270-10-11	Push Pole Head	1	GP3156F NP
18	CM4011-10-07	Press Key Holder	1	PP H1315
17	CM4011-20-05	Press Key Spring	1	SUS340/Φ0.7
16	CM4011-10-08	Press Key	1	ABS 750SW
15	CM4011-10-09	Lamp Cover	1	PC 2856
14	CM4011-10-06	Main Housing	1	PP H1315
13	CM4011-20-02	Water Tank Deco Piece	1	SUS430/t0.3
12	CM4011-10-05	Funnel	1	PP H1315
11	CM4011-10-04	Filter	1	PP H1315+100目/PA6/t0.1
10		A Screw	1	ST3x10
9	XQ688T-10-49	Screw Cap	1	PP H1315
8	TF4-10-10	Sprayer Slider Support	1	PP H1315
7	CM4011-10-03	Water Tank	1	PP H1315
6	CM4011-10-10	Outlet Tube	1	PP HJ801R
5	CM4011-10-02	Sprayer Bracket	1	PP H1315
4	CM4125T-10-19	Joint Tube	1	PP H1315
3	XQ683-4-07	Joint tube seal ring	1	
2	CM4197T-10-22	Sprayer	1	PP HJ730L
1	CM4011-10-01	Top cover	1	PP HJ730L

D

D

1

2