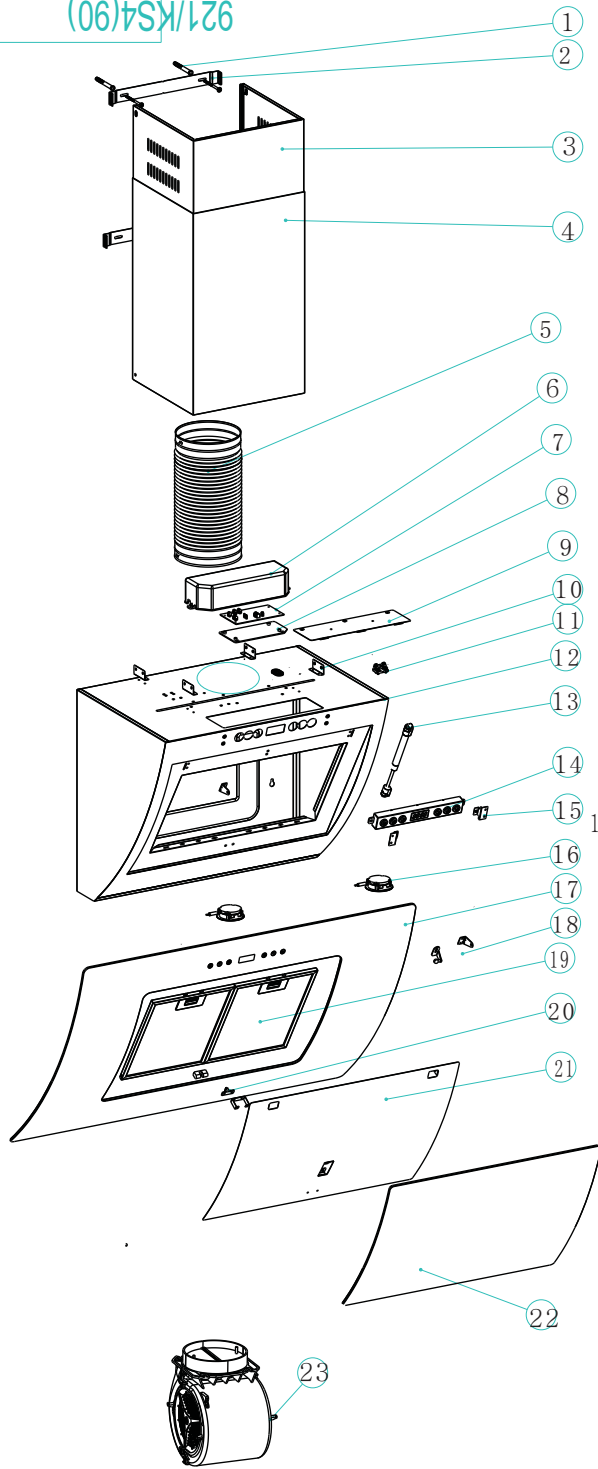


921/KS4(90)



23	Motor assembly
22	Middle glass
21	s/s support board
20	Brass buckle
19	Aluminium filter
18	Fix board of air rod support
17	Big glass
16	LED lamp
15	Switch support
14	Switch
13	Air rod support
12	Blower box assembly
11	Wire fixing groove
10	Duct bracket
9	Switch cover board
8	PCB fixing board
7	Printing circuit board
6	Electrical box
5	Plastic pipe
4	Outer duct
3	Inner duct
2	Inner duct hook
1	Expanding screws