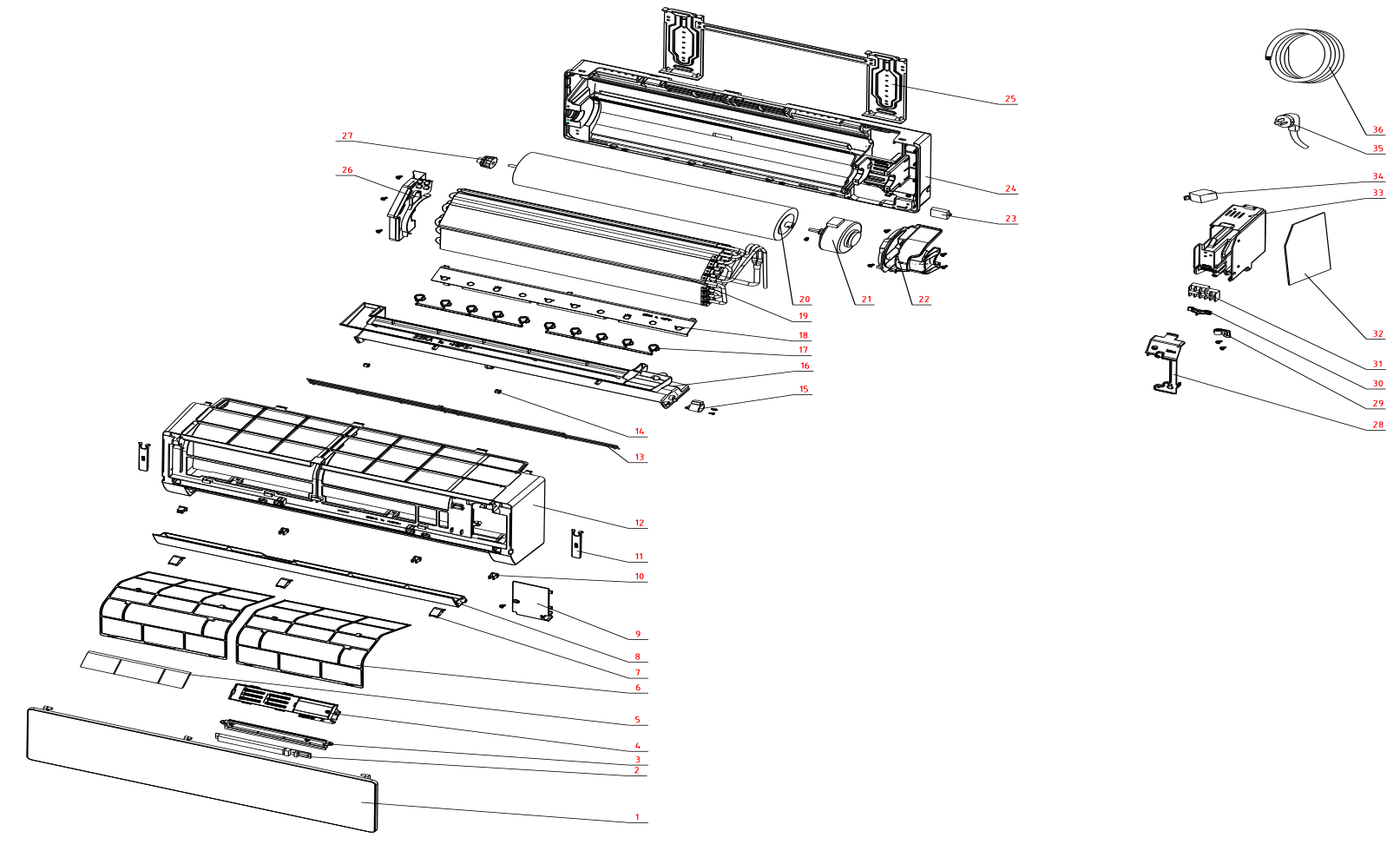
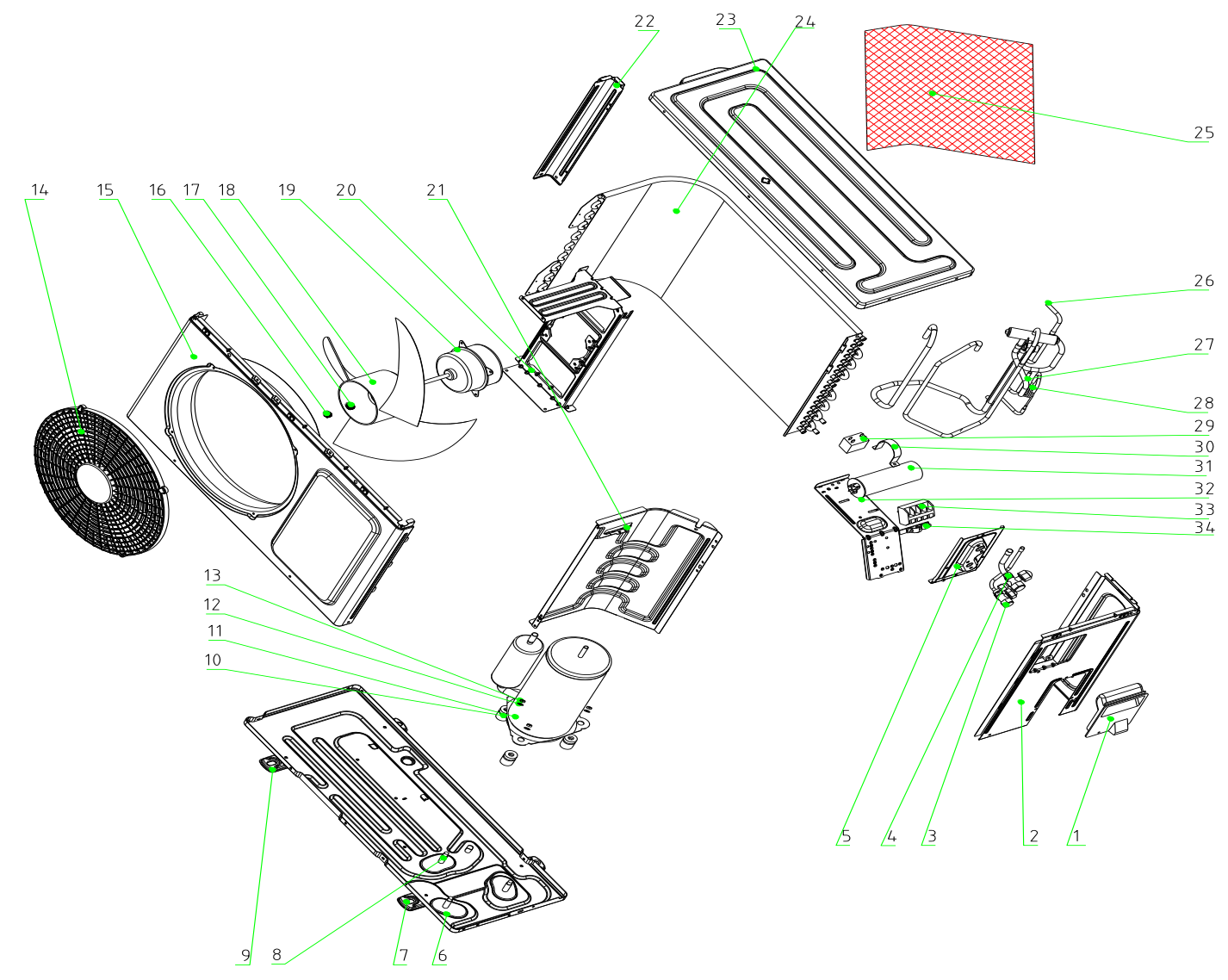


Indoor Unit (IK)



Exploded View No	Name	Pcs
1	Panel	1
2	Display board	1
3	Indication lamp holder	1
4	Electronic dehydrator(optional)	1
5	Identification filter	1
6	Filter	2
7	In box screw cap	3
8	Horizontal air blade	1
9	Cover of medium frame	1
10	Panel clipper	1
11	Stand bar	2
12	Medium frame	1
13	Wire mesh enclosure	1
14	Screw	1
15	Step motor	1
16	Air vent holder	1
17	Vertical air blade	2
18	Bracket of airflow vanes	1
19	Evaporator assembly	1
20	Cross flow fan	1
21	Fan motor	1
22	Indoor cover	1
23	Negative ion	1
24	Chassis	1
25	Mounting plate	1
26	Left plastic crutch for evaporator	1
27	Bearing holder for indoor fan	1
28	Cover of controller box	1
29	Power supply clamp	1
30	Connection cable clamp	1
31	Terminal board	1
32	Main PCB	1
33	Controller box	1
34	Transformer	1
35	Power supply	1
36	Connection cable	1
7	Remote controller	1

Outdoor Unit



Exploded View No	Name	Pcs
1	Electric cover	1
2	Right side plate	1
3	Gas valve assembly	1
4	Liquid valve assembly	1
5	Valve plate	1
6	Chassis assembly	1
7	right footing	1
8	Pump lock	1
9	left footing	1
10	rubber cushion	3
11	Compressor	1
12	Big washer	3
13	Hexagonal nut	2
14	Front net	1
15	Panel	1
16	Hexagonal nut	1
17	Light spring washer	1
18	Propeller fan	1
19	Fan motor	1
20	Holder for fan motor	1
21	Partition plate	1
22	Left clapboard	1
23	Top cover board	1
24	Condenser assembly	1
25	Condenser inlet pipe assembly	1
26	Back net	1
27	4-Ways valve pipe assembly	1
28	Capillary assembly	1
29	Fan motor capacitor	1
30	Capacitor clamp	1
31	Compressor capacitor	1
32	Holder for 4 parts	1
33	Terminal board	1
34	electricity cord clamp	1