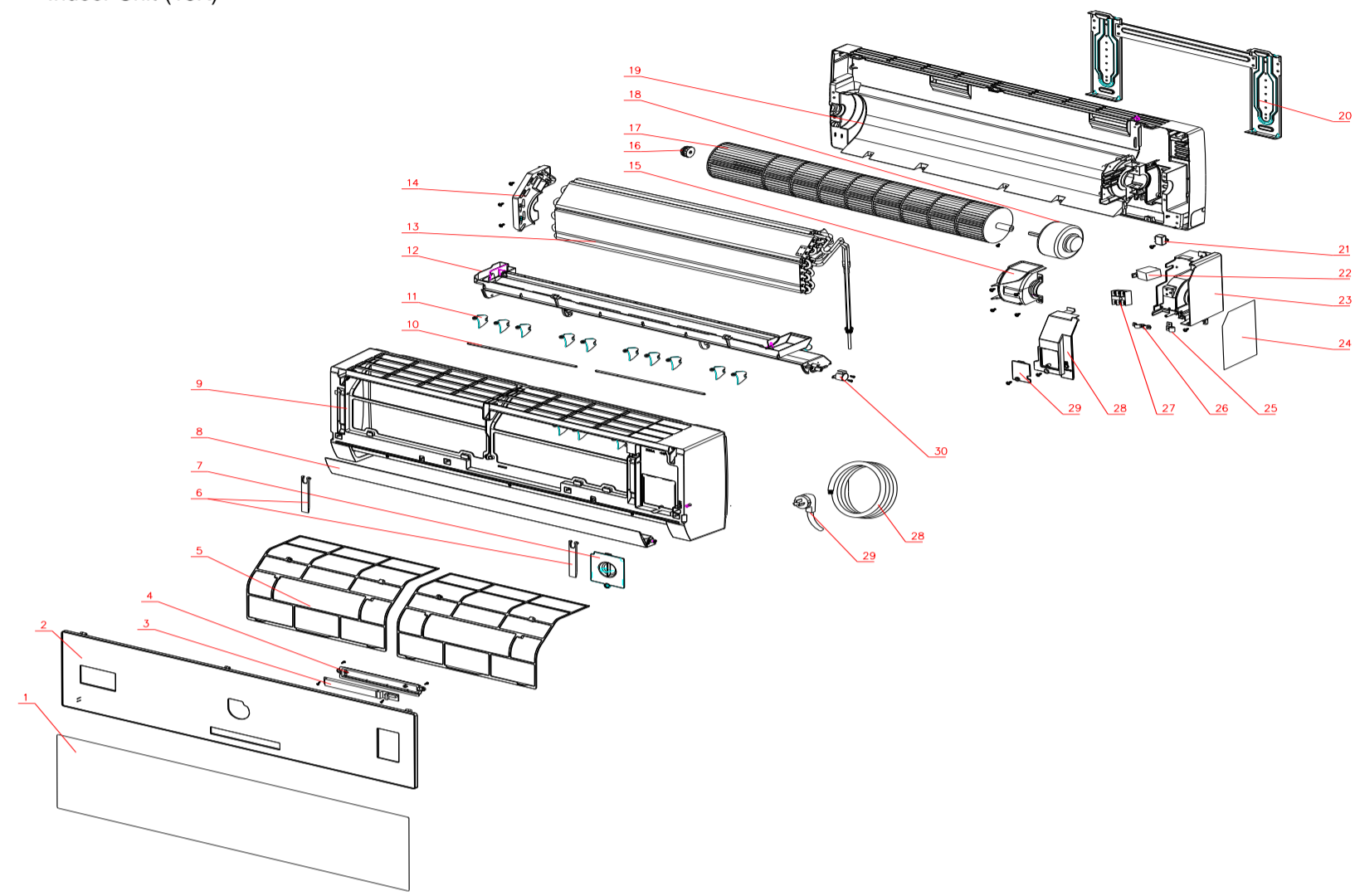
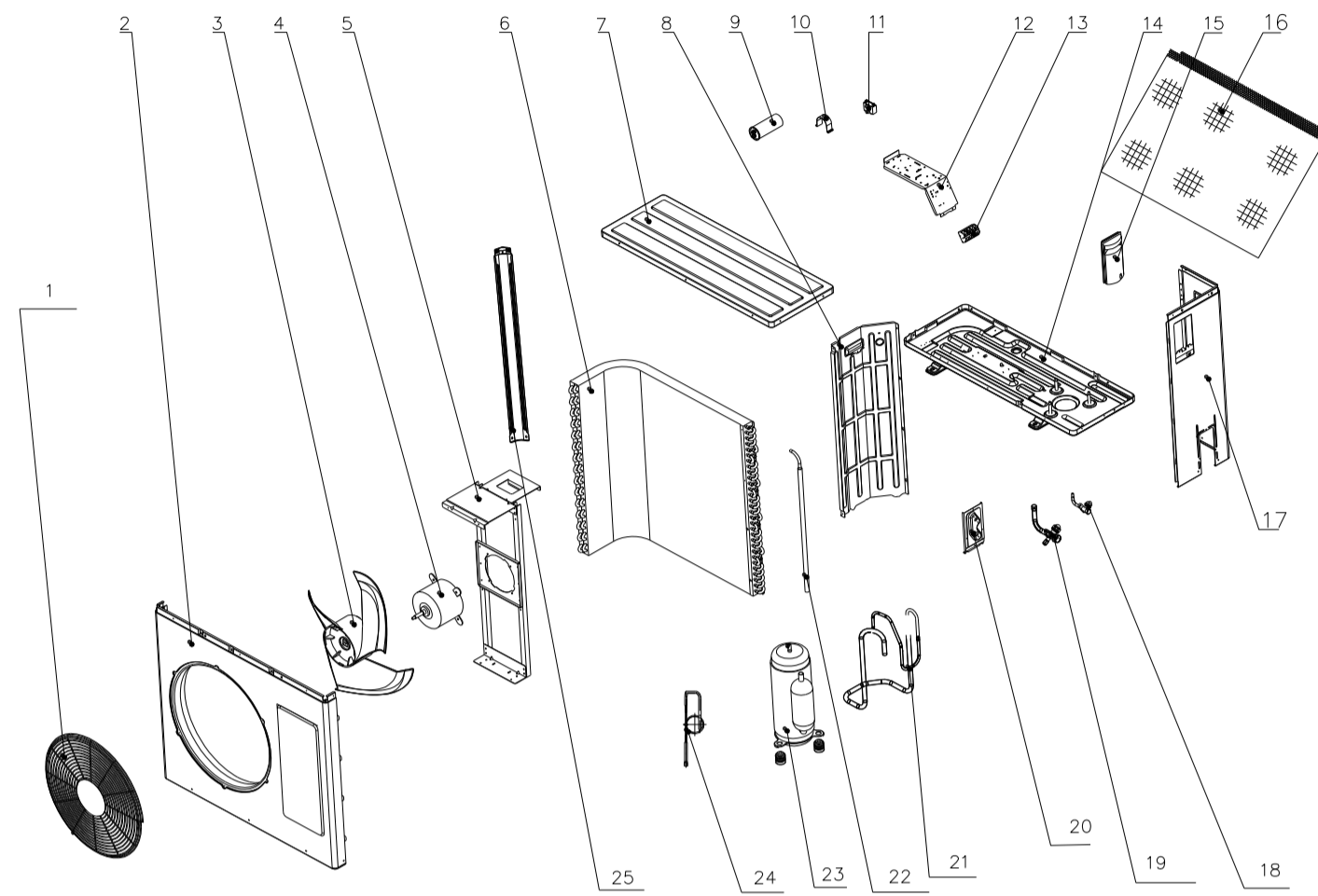


Indoor Unit (18K)



Exploded View No	Name	Pcs
1--2	Panel A	1
3	Display board	1
4	Indication lamp holder	1
5	Filter	2
6	Panel carriage	2
7	Cover of medium frame	1
8	Horizontal air-blade	1
9	Medium frame	1
10	Connecting rod for air-blade	2
11	Vertical air-blade	10
12	Air-vent holder	1
13	Evaporator assembly	1
14	Left plastic-crutch for evaporator	1
15	Motor cover	1
16	Bearing holder for indoor fan	1
17	Cross flow fan	1
18	Fan motor	1
19	Chassis	1
20	Mounting plate	1
21	Negative ion	1
22	Transformer	1
23	Controller box	1
24	Main PCB	1
25	Power supply clamp	1
26	Connection cable clamp	1
27	Terminal board	1
28	Cover of controller box	1
29	Top cover of connection line	1
30	Step motor	1
31	Connection cable	1
32	Power supply	1
/	remote controller	1

Outdoor Unit (18K)



Exploded View No	Name	Pcs
1	Panel net	1
2	Panel	1
3	Axial-flow fan	1
4	Fan motor	1
5	Motor bracket	1
6	Condenser assembly	1
22	Air inlet tube of condenser	1
7	Top cover	1
8	Partition plate	1
9	Compressor capacitor	1
10	Capacitor clamp	1
11	Fan capacitor	1
12	Holder of wiring unit	1
13	Terminal board	1
14	Chassis assembly	1
15	handle	1
16	Back net	1
17	Right side plate	1
18	Liquid valve	1
19	Gas valve	1
20	Valve plate	1
21	Compressor tubing assembly	1
23	Compressor	1
24	Capillary assembly	1
25	Left side plate	1